



501s

Skid Steer Loaders



501s – The multi tool.

The Wacker Neuson's 501s is an absolute multi talent! Its load capacity of 510 kg with an operating weight of only 1,810 kg, as well as the compact design makes it extremely versatile. When it comes to servicing (maintenance free drive), ground clearance/all-terrain mobility (no chain locker) it leaves the competition standing, thanks to the unique Quattrostatic drive (where each wheel has its own drive module).

- Three-fold Advantage: More engine power, more agility and high load capacity with very compact design.
- The Quattrostatic concept: Each of the four wheels is driven by its own module consisting of a hydraulic motor and a transmission unit, ensuring full transfer of power even on uneven terrain with up to 48% more ground clearance.
- Low maintenance arm system, thanks to composite connectors.
- The universal rapid change system means you can take advantage of the sheer versatility of the machine at any time.
- The load limit sensing system ensures an optimal speed curve, even when making high demands of the engine.



Technical specifications

Operating data

Operating weight	1,810 kg
Payload	510 kg
Tipping load	1,020 kg
Bucket capacity level	0.22 m ³
Bucket capacity heaped	0.26 m ³
Bucket width	1,370 mm
Height	1,930 mm
Length with bucket	2,860 mm

Engine / Motor

Engine / Motor manufacturer	Yanmar
Engine / Motor type	3TNV88
Engine / Motor	Water-cooled 3-cylinder diesel engine
Engine performance	27 kW
Displacement	1,642 cm ³
RPM / speed Operation	3,000 rpm
Battery	71 Ah
Tank capacity	45 l

Hydraulic system

Operating pressure Work hydraulics	185 bar
Operating hydraulics - discharge capacity	42 l/min
Hydraulic oil tank	45 l

Power transmission

Travel speed	10.5 km/h
Standard tires	27 x 8.5 - 15
Traction drive	Quattrostatic = 4 separate drive motor/transmission units
Service brake	Hydr. parking brake



Dimensions

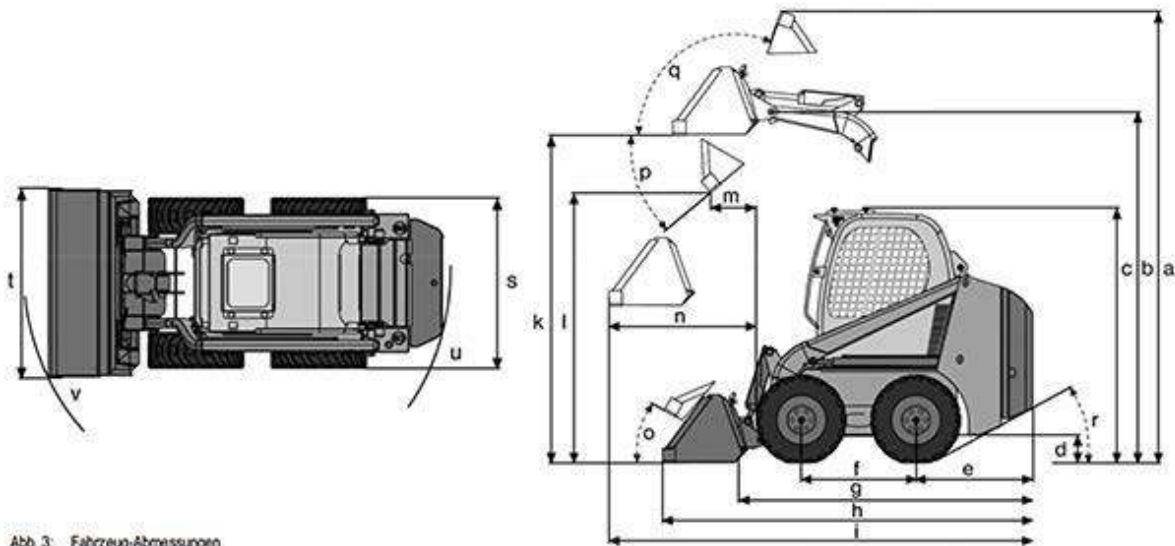


Abb. 3: Fahrzeug-Abmessungen

A	Height Max.	3,475 mm
B	Height to bucket swivel-joint	2,700 mm
C	Transport height Cabin	1,930 mm
E	Rear overhang (from rear axle)	898 mm
G	Overall length without attachments	2,263 mm
H	Overall length with standard bucket	2,860 mm
I	Length Max. vehicle	3,248 mm
K	Bucket height (in highest position)	2,522 mm
L	Dumping height max. Max.	2,122 mm
N	Range Max. reach (with horizontal arm position)	1,136 mm



**WACKER
NEUSON**
all it takes!

O	Tipping angle on the ground	30 °
S	Width (with standard tyres 27 x 8,5 - 15 • 10 x 16,5)	1,230 mm
U	Turning radius tail	1,381 mm
V	Turning radius front	1,656 mm

Please note

that product availability can vary from country to country. It is possible that information / products may not be available in your country. More detailed information on engine power can be found in the operator's manual; the stated power may vary due to specific operating conditions. Subject to alterations and errors excepted. Applicable also to illustrations.
Copyright © 2016 Wacker Neuson SE.