

Intex®



Giraffe
dustless sander

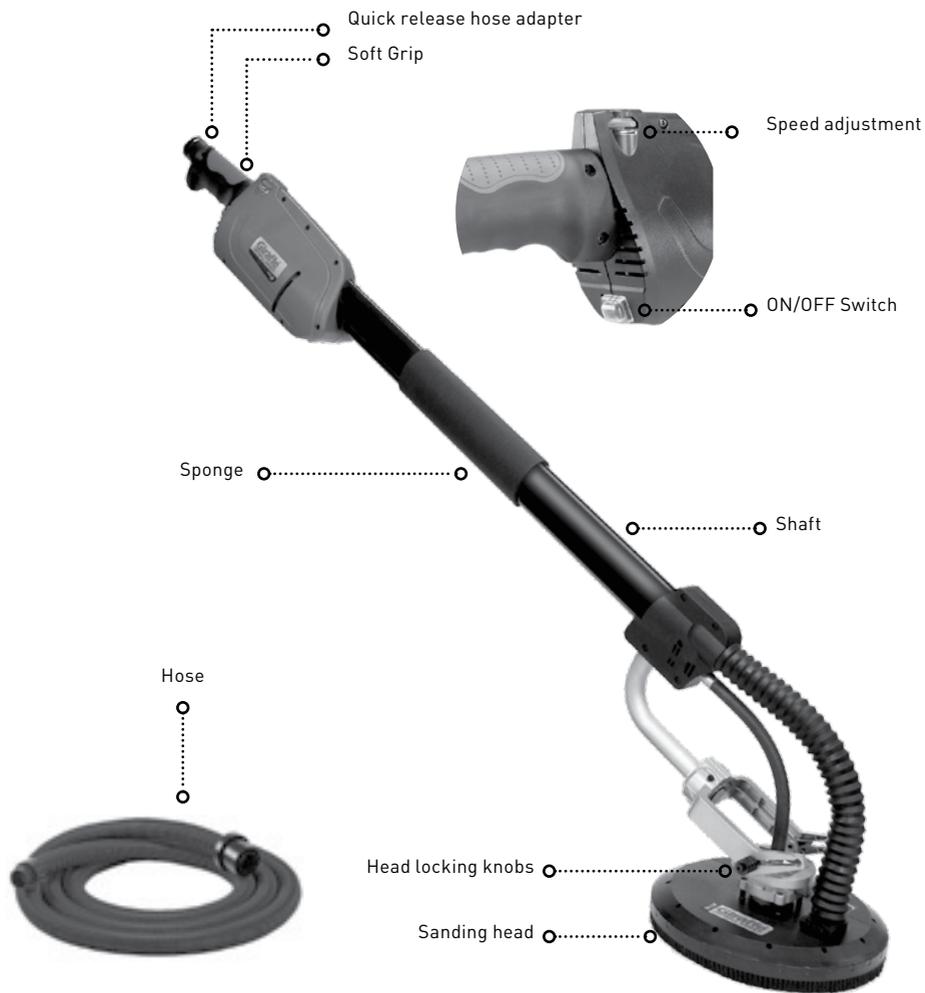
INTEX GIRAFFE INSTRUCTION MANUAL IMPORTANT NOTICE!

THE HEAD **POSITION B** IS FOR SANDING WALLS & ALSO FOR STORAGE;

CHANGE THE HEAD SETTING TO **POSITION A** FOR CEILINGS ONLY
SEE PAGE 9 FOR MORE INFO

USING OR STORING IN THE INCORRECT SETTING, WILL CAUSE DAMAGE
TO THE DRIVE SHAFT & THEREFORE VOID WARRANTY.

WARNING: To reduce the risk of injury, user must read this instruction manual
before operating Machine. Failure to read manual may void warranty



SPECIFICATIONS

	AG700 Intex Giraffe	AG799 Intex Okapi
Voltage	230V/50Hz or 110V/60Hz	230V/50Hz or 110V/60Hz
Power input	550 Watt	550 Watt
No load speed	650 ~ 1600 rpm	650 ~ 1600 rpm
Full load speed	280 ~ 950 rpm	280 ~ 950 rpm
Sanding disk	225mm	225mm
Net weight	4.7 kg (10 Lbs)	3.8 kg (8.36 Lbs)

SAFETY RULES GENERAL

WARNING! Read and understand all instructions. Failure to follow all instructions listed below, may result in electric shock, fire and / or serious personal injury. The term “power tool” in all of the warnings listed below refers to your mains-operated (corded) power tool.

SAVE THESE INSTRUCTIONS

WORK AREA SAFETY: Keep your work area clean and well lit. Cluttered work sites and dark areas invite accidents.

Do not operate power tools in explosive atmospheres, such as in the presence of flammable liquid, gases, or dust. Power tools create sparks which may ignite the dust or fumes.

Keep bystanders, children, and visitors away while operating a power tool. Distractions can cause you to lose control.

ELECTRICAL SAFETY: Grounded tools must be plugged into an outlet properly installed and grounded in accordance with all codes and ordinances. Never remove the grounding prong or modify the plug in any way. Do not use any adaptor plugs. Check with a qualified electrician if you are in doubt as to whether the outlet is properly grounded. If the tools should electrically malfunction or break down, grounding provides a low resistance path to carry electricity away from the user.

Avoid body contact with grounded surfaces such as pipes, radiators, ranges and refrigerators. There is an increased risk of electric shock if your body is grounded.

Don't expose power tools to rain or wet conditions. Water entering a power tool will increase the risk of electric shock.

Don't abuse the cord. Never use the cord to carry the tools or pull the plug from an outlet. Keep cord away from heat, oil, sharp edges or moving parts. Replace damaged cords immediately. Damaged cords increase the risk of electric shock.

When operating a power tool outside, use an outdoor extension cord marked “W-A” or “W.” These cords are rated for outdoor use and reduce the risk of electric shock.

PERSONAL SAFETY: Stay alert, watch what you are doing and use common sense when operating a power tool. Do not use tool while tired or under the influence of drugs, alcohol, or medication. A moment of inattention while operating power tools may result in serious personal injury.

Use safety equipment. Always wear eye protection. Safety equipment such as dust mask, non-skid safety shoes, hard hat, or hearing protection used for appropriate conditions will reduce personal injuries.

Avoid accidental starting. Be sure switch is off before plugging in. Plugging in tools that have the switch on invites accidents.

Remove adjusting keys or switches before turning the tool on. A wrench or a key that is left attached to a rotating part of the tool may result in personal injury.

Do not overreach. Keep a proper footing and balance at all times. Proper footing and balance enables better control of the tool in unexpected situations.

Dress properly. Do not wear loose clothing or jewellery. Keep your hair, clothing and gloves away from moving parts. Loose clothes, jewellery or long hair can be caught in moving parts.

TOOL USE & CARE

Do not force tool. Use the correct tool for your application. The correct tool will do the job better and safer at the rate for which it is designed.

Do not use tool if switch does not turn it on or off. Any tool that cannot be controlled with the switch is dangerous and must be repaired.

Disconnect the plug from the power source before making any adjustments, changing accessories, or storing the tool. Such preventive safety measures reduce the risk of starting the tool accidentally.

Store idle tools out of reach of children and do not allow persons unfamiliar with the power tool or these instructions to operate the power tool. Tools are dangerous in the hands of untrained users.

Maintain tools with care. Properly maintained tools are less likely to bind and are easier to control.

Check for misalignment or binding of moving parts, breakage of parts, and any other condition that may affect the tools operation. If damaged, have the tool serviced before using. Many accidents are caused by poorly maintained tools.

Use the power tool, accessories, in accordance with these instructions and in the manner intended for the particular type of power tool, taking into account the working conditions and the work to be performed. Use of the power tool for operations different from those intended could result in a hazardous situation.

SERVICE

Have your tool serviced by a qualified repair person using only identical replacement parts. NOTE: WE RECOMMEND THAT THE TOOL SHOULD BE SERVICED AT LEAST ONCE A YEAR. This will ensure that the safety of the power tool is maintained.

WARNING: To reduce the risk of injury, user must read instruction manual.

Symbols used in this manual

V	volts
A	amperes
Hz	hertz
W	watt
~	alternating current
n_0	no load speed
/min	revolutions or reciprocation per minute
	class II tool

SPECIFIC SAFETY RULES

1. Keep hands away from rotating sanding head area at all times!
2. Prolonged breathing of airborne dust from drywall sanding may effect respiratory function: Always use a vacuum cleaner with a bag approved for drywall dust installed. Always wear a respirator approved for dust and mist.
3. Sanding LEAD-BASED paint is extremely toxic and should not be attempted. Only allow professionals with special training and equipment perform this task.
4. Maintain proper footing and balance at all times. Do not overreach. Use proper scaffolding.
5. Always wear appropriate safety equipment when operating.
6. Important: After completing sanding, switch off the switch and wait for the coasting sanding head to stop completely before putting the tool down.
7. Never operate the tool in an area with flammable solids, liquids, or gases. Sparks from the commutator/carbon brushes could cause a fire or explosion.
8. There are certain applications for which this tool was designed. The manufacturer strongly recommends that this tool NOT be modified and/or used for any application other than for which it was designed. If you have any questions relative to its application DO NOT use the tool until you have written the manufacturer and have been advised.
9. Use machine with both hands at all times. Loss of control can cause personal injury.
10. Keep power supply cord clear from the working range of the machine. Always lead the cable away behind you.
11. Immediately switch off the machine if unusual vibrations or if other malfunctions occur. Check the machine in order to find out the cause.
12. The dust that arises when working with this tool can be harmful to health. Use a dust absorption system and wear a suitable dust protection mask and remove deposited dust with a vacuum cleaner.

FUNCTIONAL DESCRIPTION

This Electric Drywall Sander is specially designed for the most efficient sanding of drywall or plaster walls and ceilings for both new construction and renovation work. It is designed to work in conjunction with a vacuum cleaner for minimum dust and best sanding results. The pivoting sanding head allows excellent results with minimum time and effort.



For superior dust extraction we recommend the German Made Starmix® range of dust extractors.

ELECTRICAL CONNECTION

The network voltage must conform to the voltage indicated on the tool name plate. Under no circumstances should the tool be used when the power supply cable is damaged. A damaged cable must be replaced immediately by an authorized Customer Service Centre. Do not try to repair the damaged cable yourself. The use of damaged power cables can lead to an electric shock.

EXTENSION CABLE

If an extension cable is required, it must have a sufficient cross-section so as to prevent an excessive drop in voltage or overheating. An excessive drop in voltage reduces the output and can lead to failure of the motor. The following table shows you the correct cable diameter as a function of the cable length for this machine. Use only U.L. and CSA listed extension cables. Never use two extension cables together. Instead, use one long one.

Total Extension Cord Length (feet)	Cord Size (AWG)
25	16
50	12
100	10
150	8
200	6

UNPACKING

Carefully remove the tool and all loose items from the shipping container. Retain all packing materials until after you have inspected and satisfactorily operated the machine.

CONTENTS OF CARTON

1. Drywall Sanding Machine
2. Vacuum cleaner hose
3. Instruction manual

DO NOT OPERATE THIS TOOL UNTIL YOU READ AND UNDERSTAND THE ENTIRE INSTRUCTION MANUAL

TO INSTALL A SANDPAPER DISC:

1. Unplug the machine.
2. Peel away the worn out sandpaper disc, leaving the sponge backing pad in place.
3. Carefully center the new sandpaper disc and press into place. It will be held securely by the hook and loop backing.



Insist on USEIT JOST SUPER PADS: the original & the best To replace the Hook and Loop Sponge Pad:

The sponge pad must be perfectly flat to get good sanding results. If it is deformed or damaged it will cause very uneven sanding. Always replace it when damaged. It is hook and loop on both sides, so to Replace it, peel it away from the hook and loop on the Sanding Plate Base and affix a new one.

The Brush Bristles on the edge of the Sanding Plate Cover:

The brush bristles on the edge of the Sanding Plate Cover serve two purposes, they keep the sanding disc properly aligned with the work surface without gouging and they also help the efficiency of the dust collection by the vacuum cleaner. These brush bristles will wear with continued use. The Sanding Plate Cover should be replaced when the bristles are too worn to ensure effective dust collection and stabilization of the sanding head.

To replace the cover, follow these steps:

Hold the sanding plate in one hand and with the other, using the L-hex wrench (supplied), first break free the center bolt clockwise (1/8 turn only!).

Then only use the L-hex wrench to hold the center bolt from turning and spin off the sanding plate counterclockwise.

Then, press the cover down against the spring and, using snap-ring pliers, remove the circlip which holds the sanding plate cover to the bracket.

Finally, carefully work the vacuum hose free then lift sanding plate cover away. Replacement is the opposite of removal. Don't forget the spring. Entrust all repairs to an authorized service center.



INSTALLING THE VACUUM CLEANER HOSE:

1. Unplug the machine.
2. Plug the vacuum cleaner hose bayonet mount into the swivel mount in the back of the machine. Once the tongues of the bayonet mount are fully inserted in the slots, hold the swivel mount from turning and turn the hose bayonet mount clockwise to lock.
3. Removal is the opposite of assembly.



The vacuum cleaner:

Ensure that you have a bag installed in your vacuum cleaner which is approved and rated for drywall dust

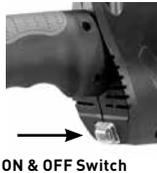


For superior dust extraction we recommend the German Made Starmix® range of dust extractors.

WARNING: Failure to use an approved dust bag in your vacuum will increase the level of airborne dust in the work area. Prolonged exposure to such dust may cause respiratory harm.

STARTING & STOPPING TOOL

Make sure that the power circuit voltage is the same as that shown on the specification plate of the machine and that switch is "OFF" before connecting the tool to the power circuit.



Switching the machine ON & OFF

To switch ON:

While holding with the left hand on the column and the right hand on the main handle, Press the rocker switch to the "on" position. Anticipate and be ready for the start up torque when the machine first starts.

To switch OFF:

Press the rocker switch to the "off" position. After the machine has been switched off, the sanding disc will still rotate for a time. Take care that parts of your body do not come into contact with the disc and do not set the machine down while it is still rotating!

Adjusting the rotation speed:

The speed of the machine is variable to suit different tasks. It can be adjusted from 650/min up to 1600/min by using the thumb wheel. Turn in the counterclockwise direction to increase the speed and in the clockwise direction to decrease the speed. Generally, you should use the higher speed for fast compound removal & the lower speed for more precise control.

Speed Adjustment



NOTE: WE RECOMMEND THAT THE ROTATION THUMB WHEEL SHOULD BE SET TO HIGH SPEED DURING OPERATION FOR SUFFICIENT AIRFLOW TO THE MOTOR.

POSITIONING THE SANDING HEAD:

There are 2 positions for the sanding head:

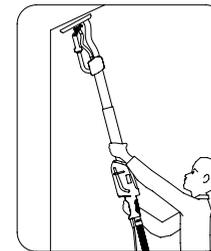
Position A for Ceilings only Position B for Walls & also for storage

The position for ceilings (position A in the diagram) has the pivot fixed out at the very end of the fork.

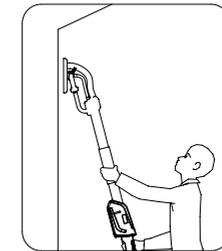
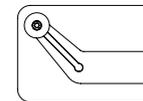
The position for walls and others (position B in the diagram) has the pivot fixed at the middle position of the fork. To adjust, simply pull the 2 spring loaded catches outwards, slide the pivot to the new position and allow the catches to snap into place.



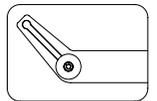
Head Locking Catches



Position A



Position B



IMPORTANT NOTICE!

THE HEAD **POSITION B** IS FOR SANDING WALLS & ALSO FOR STORAGE;

CHANGE THE HEAD SETTING TO **POSITION A** FOR CEILINGS ONLY

USING OR STORING IN THE INCORRECT SETTING, WILL CAUSE DAMAGE TO THE DRIVE SHAFT & THEREFORE VOID WARRANTY.



The **Intex Giraffe** Power Sander, teamed with **Starmix** Dust Extractors & the Genuine **Intex Jost Useit Super Pad** abrasives. The proven choice for thousands of professional finishers all around the globe.

BUILDING EXCELLENCE

The logo for Intex Group, featuring the word 'Intex' in a large, bold, sans-serif font, with 'GROUP' in a smaller font above the 'x', and a stylized icon of three slanted lines to the right.

**INTEX GROUP INT.
AUSTRALIA HEAD OFFICE**
91-115 Link Drive Campbellfield, Victoria Australia 3061
Tel 1300 107 108 Fax 1300 107 109
e admin@intex.com.au w intex.com.au

WA BRANCH
44 Tacoma Circuit, Canning Vale WA 6155
Tel 1300 107 108 Fax 1300 107 109
e admin@intex.com.au

intex.com.au | intex.co.nz
PREMIUM **WALL & CEILING** ACCESSORIES, TOOLS & EQUIPMENT



**INTEX GROUP INT.
NEW ZEALAND BRANCH**
1 Edwin Feist Place Solway, Masterton New Zealand 5810
Tel 0800 278 276 Fax 06 3777 259
e sales@spesystems.co.nz w spesystems.co.nz



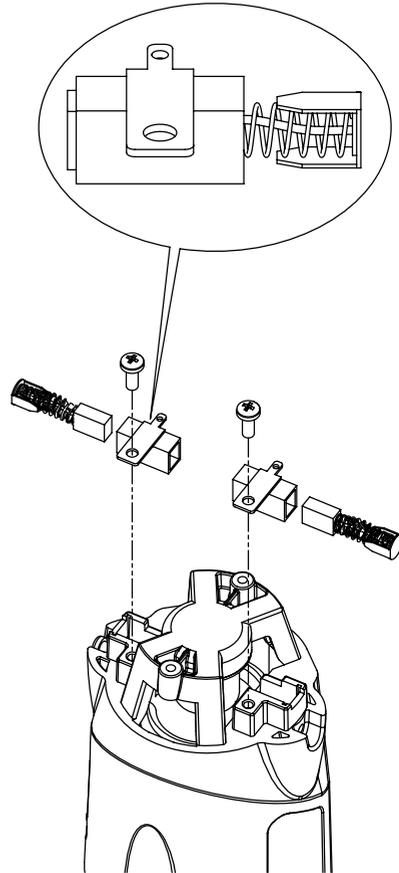
NOTE: When putting the Carbon Brushes back into the Carbon Brush Holders it is essential that both flanges go back inside the holder.

NOTE: To reinstall the same brushes, first make sure the brushes go back in the way they came out. Otherwise a break-in period will occur that will reduce motor performance and increase brush wear.

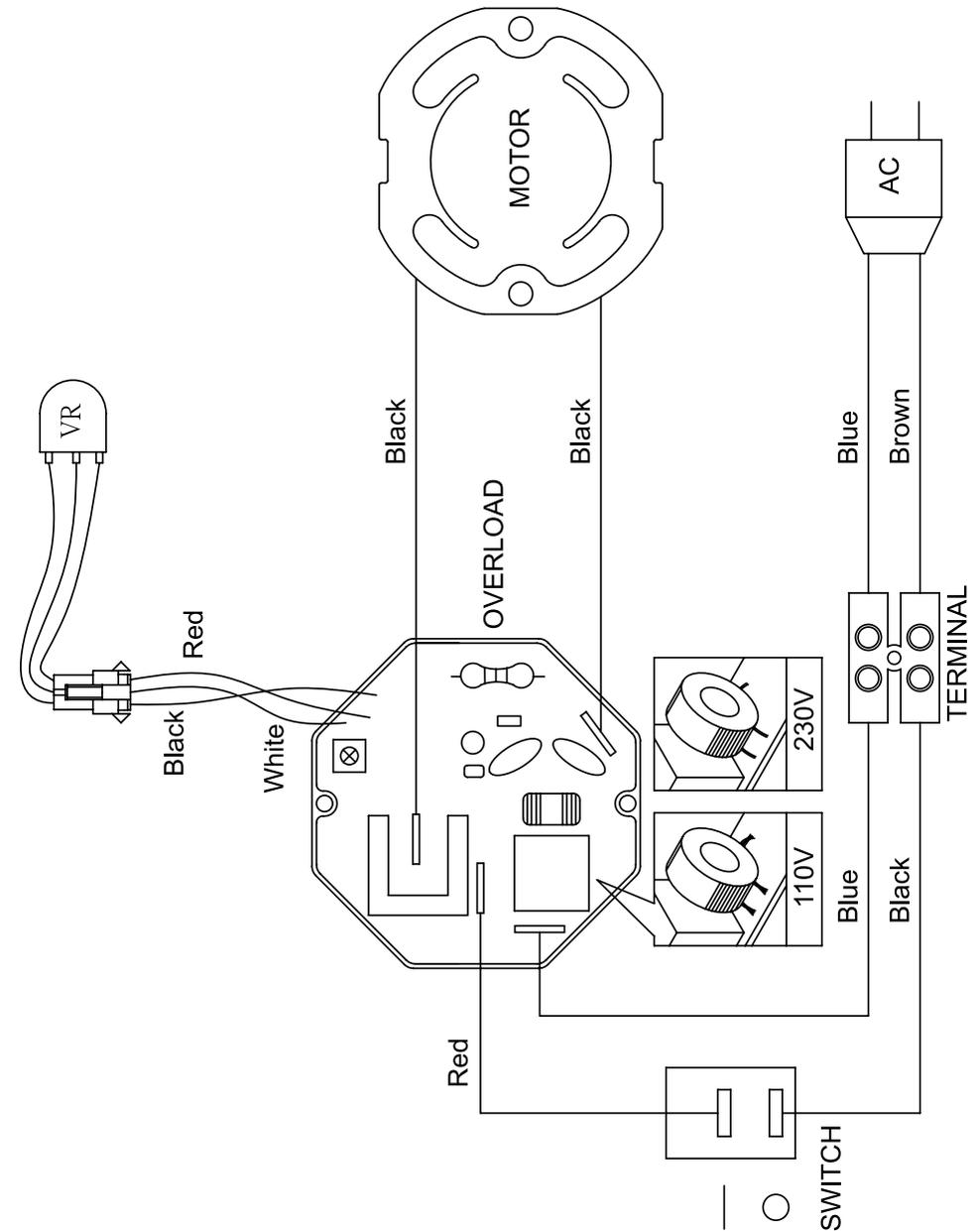
Replacing is the reverse of removal. When Replacing all covers, take great care that all wires are in place and not in a position to be pinched when they are retightened. TAKE CARE NOT TO OVER TIGHTEN SCREW. It is recommended that, at least once a year, you take the tool to an Authorized Service Center for a thorough cleaning and lubrication.

If the area around the center of the Sanding Plate (66A) begins to melt, this indicates that the bearing (58) is overheating and failing. When this happens, the sanding plate (66A), the seal (75) and the bearing (58) must be replaced. Entrust this repair to a qualified service center.

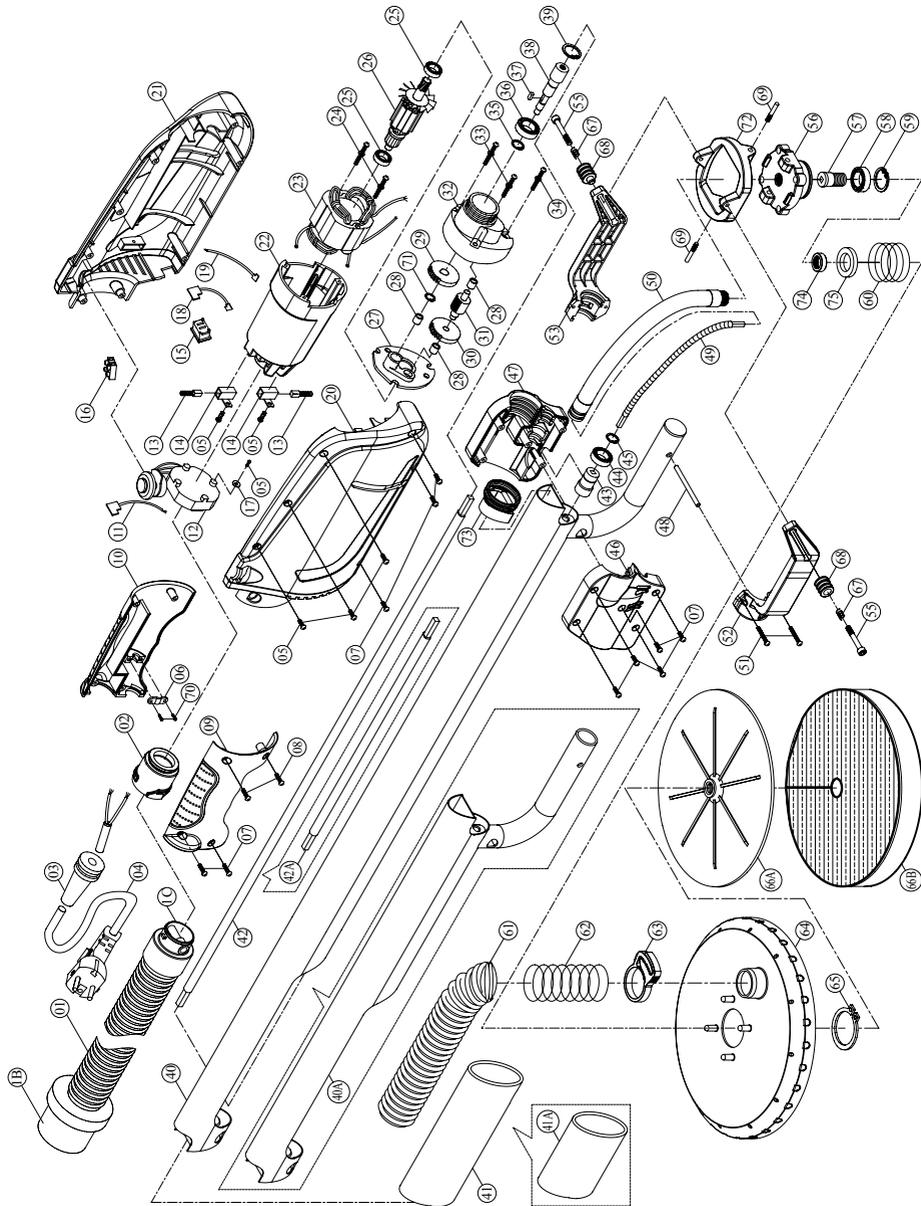
- If the replacement of the power supply cord is necessary, this has to be done by the manufacturer or their agent in order to avoid a safety hazard.



THE WIRING



EXPLODED VIEW



PARTS LIST

NO.	PARTS NAME	QTY	NO.	PARTS NAME	QTY	NO.	PARTS NAME	QTY
1.	VACUUM EXTENSION HOSE 4M	1	32.	GEAR CASE	1	63.	HOSE CLAMP	1
1B.	HOSE CONNECTOR (TO VAC)	1	33.	SCREW W/ WASHER M5 x 35	2	* 64.	SANDING PLATE COVER	1
1C.	VACUUM HOSE SWIVEL CONNECTOR	1	34.	SCREW W/ WASHER M5 x 20	1	65.	C - CLIP S-40	1
2.	BAYONET HOSE CONNECTOR	1	35.	C - CLIP S-10	1	66A.	SANDING PLATE BASE	1
3.	CORD ARMOR	1	* 36.	BALL BEARING 6200 2RS	1	*66B.	HOOK & LOOP SPONGE PAD	1
* 4.	POWER SUPPLY CABLE	1	37.	WOODRUFF KEY 3 x 8	1	67.	SPRING Ø0.8 x Ø6 x 16L x 4T	2
5.	SCREW M4 x 12	6	38.	SPINDLE	1	68.	HEAD LOCKING KNOB	2
6.	CABLE CLIP	1	39.	C - CLIP R-30	1	69.	SCREW M5	2
7.	SCREW M4 x 20	10	40.	EXTENSION COLUMN 989.22mm	1	70.	SCREW M4 x 14	2
8.	SCREW M4 x 25	2	40A.	EXTENSION COLUMN 539.22mm	1	71.	C - CLIP S-8	1
9.	RIGHT HANDLE COVER	1	41.	FOAM HANDLE GRIP	1	72.	PIVOT BASE	1
10.	LEFT HANDLE COVER	1	41A.	FOAM HANDLE GRIP	1	73.	DUST GUIDE	1
11.	WIRE LEADER(BLACK)	1	42.	FIRST DRIVE SHAFT 704mm	1	74.	SHAFT RACE M14 x Ø20 x 6.5	1
12.	SPEED CONTROL UNIT	1	42A.	FIRST DRIVE SHAFT 254mm	1	75.	RADIAL SHAFT SEAL Ø20 x Ø32 x 5	1
* 13.	CARBON BRUSH	2	43.	SHAFT CONNECTOR	1	* = Non Warranty Items		
14.	CARBON BRUSH HOLDER	2	* 44.	BALL BEARING 6001 2RS	1	** = Limited Warranty Items		
15.	MOTOR SWITCH	1	45.	C - CLIP S-12	1			
16.	WIRE CONNECTOR	1	46.	RIGHT DRIVE COVER	1			
17.	FLAT WASHER M4	1	47.	LEFT DRIVE COVER	1			
18.	WIRE LEADER(RED)	1	48.	HOLDING PIN 6 x 50	1			
19.	WIRE LEADER(BLUE)	1	**49.	SECONDARY DRIVE SHAFT	1			
20.	RIGHT HOUSING COVER	1	**50.	DRIVE SHAFT COVER	1			
21.	LEFT HOUSING COVER	1	51.	SCREW M4 x 35	2			
22.	MOTOR HOUSING	1	52.	RIGHT FORK ARM	1			
23.	STATOR	1	53.	LEFT FORK ARM	1			
24.	SCREW M4 x 50	2	55.	CAP SCREW M5 x 39 x 12L	2			
* 25.	BALL BEARING 608 2RS	2	56.	PIVOT CONNECTING BRACKET	1			
26.	ARMATURE	1	57.	CONNECTING SPINDLE	1			
27.	GEAR PLATE	1	* 58.	BALL BEARING 6002 2RS	1			
28.	BUSHING 6 x 10 x 8	3	59.	C - CLIP R-32	1			
29.	OUTPUT GEAR	1	60.	SPRING Ø2 x Ø49 x 40L x 4T	1			
30.	INTERMEDIATE GEAR	1	* 61.	VACUUM HOSE	1			
31.	INTERMEDIATE GEAR PINION	1	62.	SPRING Ø1 x Ø32 x 363L x 30T	1			



The **Intex Giraffe** Power Sander, teamed with **Starmix** Dust Extractors & the Genuine **Intex Jost Useit Super Pad** abrasives. The proven choice for thousands of professional finishers all around the globe.

BUILDING EXCELLENCE

The Intex Group logo, featuring the word 'Intex' in a large, bold, sans-serif font, with 'GROUP' in a smaller font above the 'x', and a stylized icon of three slanted lines to the right.

**INTEX GROUP INT.
AUSTRALIA HEAD OFFICE**
91-115 Link Drive Campbellfield, Victoria Australia 3061
Tel 1300 107 108 Fax 1300 107 109
e admin@intex.com.au w intex.com.au

WA BRANCH
44 Tacoma Circuit, Canning Vale WA 6155
Tel 1300 107 108 Fax 1300 107 109
e admin@intex.com.au

intex.com.au | intex.co.nz
PREMIUM **WALL & CEILING** ACCESSORIES, TOOLS & EQUIPMENT



**INTEX GROUP INT.
NEW ZEALAND BRANCH**
1 Edwin Feist Place Solway, Masterton New Zealand 5810
Tel 0800 278 276 Fax 06 3777 259
e sales@spesystems.co.nz w spesystems.co.nz

