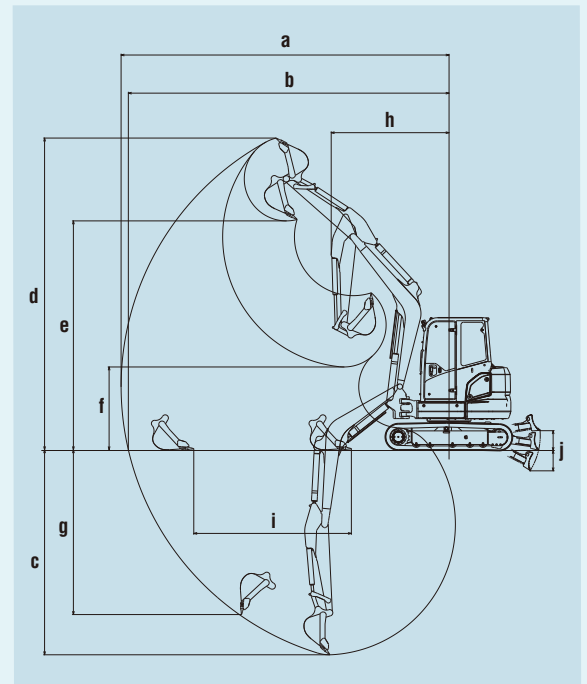


## SPECIFICATIONS

MODEL		SK45SRX		SK55SRX	
Type		SK45SRX-6		SK55SRX-6	
Crawler Shoe		Rubber	Steel	Rubber	Steel
Machine Mass	Cab	kg	4,550	4,690	5,020
	Canopy	kg	4,430	4,580	4,900
Bucket Capacity		m <sup>3</sup>	0.14		0.16
Bucket Width (with side cutter)		mm	600		600
Arm Length		m	1.55		1.69
Bucket Digging Force		kN	35.2		35.2
Arm Crowding Force		kN	20.9		24.6
ENGINE					
Model		YANMAR 3TNV88-B			
Type		Water cooled, 4-cycle, 4-cylinder, direct injection, diesel engine			
Power Output	(ISO 9249)	kW/min <sup>-1</sup>	28.3/2,400		
	(ISO 14396)	kW/min <sup>-1</sup>	29.6/2,400		
Max. Torque	(ISO 9249)	N-m/min <sup>-1</sup>	131.1/1,400		
	(ISO 14396)	N-m/min <sup>-1</sup>	132.9/1,400		
Displacement		L	2.189		
Fuel Tank		L	75		
HYDRAULIC SYSTEM					
Pump		Two variable displacement pumps + One gear pump			
Max. Discharge Flow		L/min	2 x 49.9, 1 x 33.8		
Relief Valve Setting		MPa	23.0		
Hydraulic Oil Tank (system)		L	27.9 (57.7)		
TRAVEL SYSTEM					
Travel Motors		2 x axial-piston, two-step motors			
Parking Brake		Oil disc brake per motor			
Travel Speed (high/low)		km/h	4.0/2.3	3.7/2.1	4.0/2.3
Gradeability		% (degree)	58 (30)		
Drawbar Pulling Force	Cab	kN	55.2		54.9
	Canopy	kN	55.2		54.9
CRAWLER					
Shoe Width		mm	400		
Ground Pressure	Cab	kPa	26.1	27.7	28.7
	Canopy	kPa	25.4	27.0	28
DOZER BLADE					
Width x Height		mm	1,960 x 345		
SWING SYSTEM					
Swing Motor		Axial piston motor			
Parking Brake		Oil disc brake, hydraulic operated automatically			
Swing Speed		min <sup>-1</sup>	8.8		
SIDE DIGGING MECHANISM					
Type		Boom swing			

## WORKING RANGES

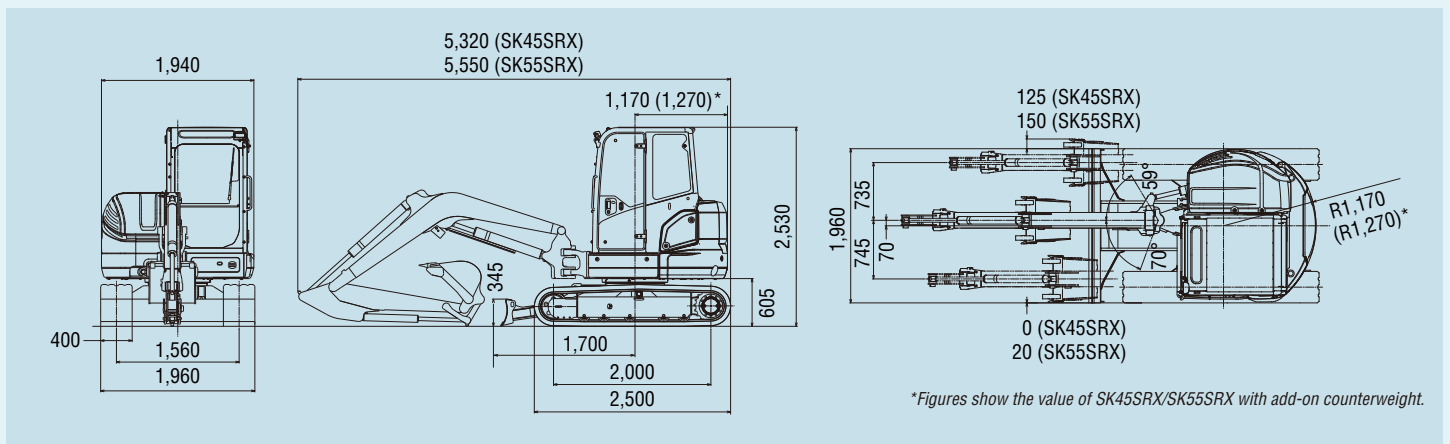


Unit: mm

MODEL	SK45SRX		SK55SRX
	Cab	Canopy	
Arm length	1.55 m		1.69 m
a- Max. digging reach	5,900		6,270
b- Max. digging reach at ground level	5,750		6,130
c- Max. digging depth	3,440		3,900
d- Max. digging height	5,790	5,860	6,010
e- Max. dumping clearance	4,190	4,260	4,420
f- Min. dumping clearance	1,550	1,610	1,590
g- Max. vertical wall digging depth	3,000		3,240
h- Min. swing radius at boom swing	2,410	2,360	2,250
i- Horizontal digging stroke at ground level	1,990	1,920	1,900
j- Dozer blade (height/depth)	2,550		2,950
	465/335		465/335

## GENERAL DIMENSIONS

Unit: mm



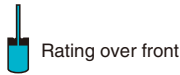
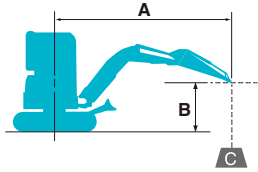
\*Figures show the value of SK45SRX/SK55SRX with add-on counterweight.

## OPTIONAL EQUIPMENT

• N&B (HCP*) piping	• Bolt-on Pad shoes (for steel shoes)	• BHL lever
• N&B (foot) piping + Rotating N&B (HCP*)	• Add-on counterweight (250 kg) + 100 mm tail swing radius	• Multi-control valve
• N&B (HCP*) piping + Rotating N&B (HCP*)	• Boom & arm holding valve	• Arm & bucket cylinder cover
• ROPS cab with air conditioner	• Wide range of buckets	• Front guard
• Radio (only for cab)	• Rear view mirror	• 12 V power source
• Steel shoe	• Rear under mirror	• Additional light for canopy spec.

\*Hand Control Proportional

# LIFTING CAPACITIES



Rating over front



Rating over side or 360 degrees

A: Reach from swing centerline to arm top

B: Arm top height above/below ground

C: Lifting capacities in kilograms

Shoe: Rubber shoe Dozer blade: Up

Relief valve setting: 23.0 MPa

SK45SRX Cab		Arm: 1.55 m, Bucket: Without Rubber shoe: 400 mm											
		1.0 m		2.0 m		3.0 m		4.0 m		5.0 m		At Max. Reach	
B	A	Rating over front		Rating over side or 360 degrees		Rating over front		Rating over side or 360 degrees		Rating over front		Rating over side or 360 degrees	
		Radius		Radius		Radius		Radius		Radius		Radius	
4.0 m	kg											*860	840
3.0 m	kg					*1,170	*1,170	990	830			770	650
2.0 m	kg					1,520	1,240	960	800			680	570
1.0 m	kg					1,420	1,150	920	770	660	550	650	550
G. L.	kg					1,380	1,110	900	740			680	570
-1.0 m	kg	*2,010	*2,010			2,700	2,170	1,380	1,110	890	740	780	650
-2.0 m	kg			2,970	2,230	1,410	1,140					1,110	920

SK45SRX Cab		Arm: 1.55 m, Bucket: Without Rubber shoe: 400 mm Add-on Counterweight (250 kg)											
		1.0 m		2.0 m		3.0 m		4.0 m		5.0 m		At Max. Reach	
B	A	Rating over front		Rating over side or 360 degrees		Rating over front		Rating over side or 360 degrees		Rating over front		Rating over side or 360 degrees	
		Radius		Radius		Radius		Radius		Radius		Radius	
4.0 m	kg											*860	*860
3.0 m	kg					*1,170	*1,170	1,130	950			*780	750
2.0 m	kg					*1,720	1,420	1,100	920			780	660
1.0 m	kg					1,630	1,330	1,060	890	770	650	760	640
G. L.	kg					1,590	1,290	1,040	860			790	660
-1.0 m	kg	*2,010	*2,010			*2,700	2,500	1,590	1,290	1,030	860	910	760
-2.0 m	kg			*3,010	2,560	1,620	1,320					1,280	1,060

SK45SRX Canopy		Arm: 1.55 m, Bucket: Without Rubber shoe: 400 mm											
		1.0 m		2.0 m		3.0 m		4.0 m		5.0 m		At Max. Reach	
B	A	Rating over front		Rating over side or 360 degrees		Rating over front		Rating over side or 360 degrees		Rating over front		Rating over side or 360 degrees	
		Radius		Radius		Radius		Radius		Radius		Radius	
4.0 m	kg											*860	820
3.0 m	kg					*1,170	*1,170	960	800			740	630
2.0 m	kg					1,470	1,200	930	780			650	550
1.0 m	kg					1,380	1,120	890	740	640	540	630	530
G. L.	kg					*1,390	*1,390	1,330	1,080	870	720	660	550
-1.0 m	kg	*2,010	*2,010			*2,700	2,100	1,330	1,080	860	710	760	630
-2.0 m	kg			2,870	2,160	1,360	1,100					1,080	890

SK45SRX Canopy		Arm: 1.55 m, Bucket: Without Rubber shoe: 400 mm Add-on Counterweight (250 kg)											
		1.0 m		2.0 m		3.0 m		4.0 m		5.0 m		At Max. Reach	
B	A	Rating over front		Rating over side or 360 degrees		Rating over front		Rating over side or 360 degrees		Rating over front		Rating over side or 360 degrees	
		Radius		Radius		Radius		Radius		Radius		Radius	
4.0 m	kg											*860	*860
3.0 m	kg					*1,170	*1,170	1,100	930			*780	730
2.0 m	kg					1,680	1,380	1,070	900			760	640
1.0 m	kg					1,590	1,300	1,030	860	740	630	730	620
G. L.	kg					*1,390	*1,390	1,540	1,260	1,000	840	760	640
-1.0 m	kg	*2,010	*2,010			*2,700	2,440	1,540	1,250	1,000	840	880	740
-2.0 m	kg			*3,010	2,490	1,570	1,280					1,240	1,030

SK55SRX Cab		Arm: 1.69 m, Bucket: Without Rubber shoe: 400 mm											
		1.0 m		2.0 m		3.0 m		4.0 m		5.0 m		At Max. Reach	
B	A	Rating over front		Rating over side or 360 degrees		Rating over front		Rating over side or 360 degrees		Rating over front		Rating over side or 360 degrees	
		Radius		Radius		Radius		Radius		Radius		Radius	
5.0 m	kg											*1,040	*1,040
4.0 m	kg							*930	*930			970	820
3.0 m	kg							*1,000	970	800	680	780	660
2.0 m	kg					*1,620	1,430	1,110	930	790	660	710	590
1.0 m	kg					1,630	1,320	1,070	880	770	640	680	570
G. L.	kg					*1,250	*1,250	1,580	1,270	1,030	850	760	630
-1.0 m	kg	*2,080	*2,080			*2,580	2,480	1,580	1,270	1,020	840	790	650
-2.0 m	kg	*3,210	*3,210			*3,360	2,530	1,600	1,290	1,050	860	1,020	840
-3.0 m	kg			*1,590	*1,590							*1,190	*1,190

SK55SRX Cab		Arm: 1.69 m, Bucket: Without Rubber shoe: 400 mm Add-on Counterweight (250 kg)											
		1.0 m		2.0 m		3.0 m		4.0 m		5.0 m		At Max. Reach	
B	A	Rating over front		Rating over side or 360 degrees		Rating over front		Rating over side or 360 degrees		Rating over front		Rating over side or 360 degrees	
		Radius		Radius		Radius		Radius		Radius		Radius	
5.0 m	kg											*1,040	*1,040
4.0 m	kg							*930	*930			*1,000	920
3.0 m	kg							*1,000	*1,000	910	770	890	750
2.0 m	kg					*1,620	1,600	*1,220	1,050	890	760	800	680
1.0 m	kg					1,840	1,500	1,200	1,000	870	740	770	650
G. L.	kg					*1,250	*1,250	1,790	1,450	1,170	970	860	720
-1.0 m	kg	*2,080	*2,080			*2,580	*2,580	1,790	1,450	1,160	970	890	750
-2.0 m	kg	*3,210	*3,210			*3,360	2,860	1,810	1,470	1,180	990	1,150	960
-3.0 m	kg			*1,590	*1,590							*1,190	*1,190

SK55SRX Canopy		Arm: 1.69 m, Bucket: Without Rubber shoe: 400 mm											
		1.0 m		2.0 m		3.0 m		4.0 m		5.0 m		At Max. Reach	
B	A	Rating over front		Rating over side or 360 degrees		Rating over front		Rating over side or 360 degrees		Rating over front		Rating over side or 360 degrees	
		Radius		Radius		Radius		Radius		Radius		Radius	
5.0 m	kg											*1,040	*1,040
4.0 m	kg							*930	*930			940	790
3.0 m	kg							*1,000	950	780	660	760	640
2.0 m	kg					*1,620	1,390	1,080	900	770	640	680	570
1.0 m	kg					1,590	1,280	1,030	860	750	620	660	550
G. L.	kg					*1,250	*1,250	1,530	1,240	1,000	830	730	610
-1.0 m	kg	*2,080	*2,080			*2,580	2,410	1,530	1,230	990	820	760	630
-2.0 m	kg	*3,210	*3,210			*3,290	2,460	1,560	1,260	1,010	840	980	820
-3.0 m	kg			*1,590	*1,590							*1,190	*1,190

SK55SRX Canopy		Arm: 1.69 m, Bucket: Without Rubber shoe: 400 mm Add-on Counterweight (250 kg)											
		1.0 m		2.0 m		3.0 m		4.0 m		5.0 m		At Max. Reach	
B	A	Rating over front		Rating over side or 360 degrees		Rating over front		Rating over side or 360 degrees		Rating over front		Rating over side or 360 degrees	
		Radius		Radius		Radius		Radius		Radius		Radius	
5.0 m	kg											*1,040	*1,040
4.0 m	kg							*930	*930			*1,000	900
3.0 m	kg							*1,000	*1,000	880	750	860	730
2.0 m	kg					*1,620	1,570	*1,220	1,020	870	740	780	660
1.0 m	kg					1,790	1,460	1,170	980	850	720	750	640
G. L.	kg					*1,250	*1,250	1,740	1,410	1,140	950	830	700
-1.0 m	kg	*2,080	*2,080			*2,580	*2,580	1,740	1,410	1,130	940	870	730
-2.0 m	kg	*3,210	*3,210			*3,360	2,790	1,770	1,430	1,150	960	1,120	930
-3.0 m	kg			*1,590	*1,590							*1,190	*1,190

## Notes:

- Do not attempt to lift or hold any load that is greater than these lift capacities at their specified lift point radius and heights. Weight of all accessories must be deducted from the above lift capacities.
- Lift capacities are based on machine standing on level, firm, and uniform ground. User must make allowance for job conditions such as soft or uneven ground, out of level conditions, side loads, sudden stopping of loads, hazardous conditions, experience of personnel, etc.
- Arm top defined as lift point.

- The above lifting capacities are in compliance with ISO 10567. They do not exceed 87% of hydraulic lifting capacity or 75% of tipping load. Lifting capacities marked with an asterisk (\*) are limited by hydraulic capacity rather than tipping load.
- Operator should be fully acquainted with the Operator's and Maintenance Instructions before operating this machine. Rules for safe operation of equipment should be adhered to at all times.
- Lift capacities apply to only machine as originally manufactured and normally equipped by KOBELCO CONSTRUCTION MACHINERY CO., LTD.

Note: This catalog may contain attachments and optional equipment that are not available in your area. And it may contain photographs of machines with specifications that differ from those of machines sold in your areas. Please consult your nearest KOBELCO distributor for those items you require. Due to our policy of continuous product improvements all designs and specifications are subject to change without advance notice.

Copyright by KOBELCO CONSTRUCTION MACHINERY CO., LTD. No part of this catalog may be reproduced in any manner without notice.

## KOBELCO CONSTRUCTION MACHINERY CO., LTD.

5-15 kitashinagawa 5-chome, Shinagawa-ku, Tokyo 141-8626 JAPAN  
 Tel: +81 (0) 3-5789-2146 Fax: +81 (0) 3-5789-2135  
[www.kobelco-kenki.co.jp/english\\_index.html](http://www.kobelco-kenki.co.jp/english_index.html)

Inquiries To: