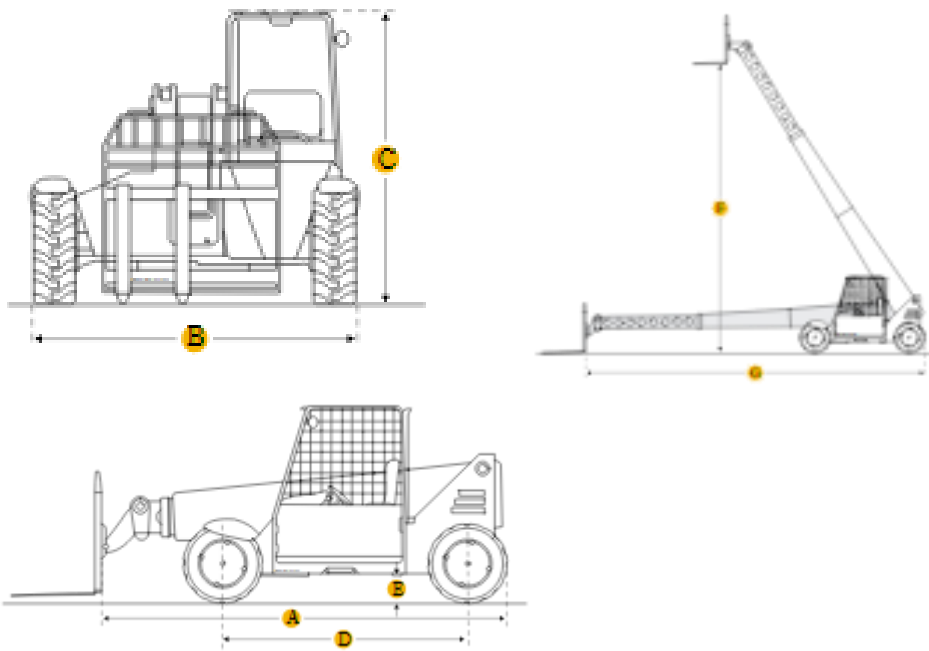


# JCB 535-95 Telescopic Forklift



## Dimensions

**A**  
Length To Fork Face 4990mm

**B**  
Width Over Tires 2360mm

**C**  
Overall Height 2490mm

**D**  
Wheelbase 2750mm

**E**  
Ground Clearance 400mm

Dump Angle 24degrees

Turning Radius Outside Tires 3700mm

Weight 8215kg

## Lift

**F**  
Max Lift Height 9500mm

**G**

<b>Max Forward Reach</b>	6520mm
<b>Max Lift Capacity</b>	3500kg
<b>Max Load At Max Height</b>	1600kg
<b>Max Load At Max Reach</b>	550kg

---

## Specifications

<b>Engine</b>	
<b>Number Of Cylinders</b>	4
<b>Engine Make</b>	2257
<b>Engine Model</b>	JCB EcoMAX T4i/IIIB
<b>Gross Power</b>	61.6kw
<b>Power Measured @</b>	2200rpm
<b>Max Torque</b>	308Nm
<b>Torque Measured @</b>	1200rpm
<b>Displacement</b>	4.4L
<b>Aspiration</b>	turbocharged cooled
<b>Operational</b>	
<b>Operating Weight</b>	3500kg
<b>Fuel Capacity</b>	125L
<b>Hydraulic System Fluid Capacity</b>	113L
<b>Operating Voltage</b>	12V
<b>Alternator Supplied Amperage</b>	95amps
<b>Tire Size</b>	15.5R24

### Transmission

<b>Lift Capacity To Full Height</b>	1600kg
<b>Lift Capacity At Full Reach</b>	500kg
<b>Transmission Type</b>	4-speed powershift
<b>Number Of Forward Gears</b>	4
<b>Number Of Reverse Gears</b>	4
<b>Max Speed – Forward</b>	32km/h
<b>Max Speed – Reverse</b>	32km/h

### Hydraulic System

<b>Extend</b>	10.5sec
<b>Bucket Crowd</b>	3.5sec
<b>Retract</b>	11.2sec
<b>Max Operating Pressure</b>	241 bar
<b>Hydraulic Pump</b>	82 L

### Hydraulic

<b>Pump Flow Capacity</b>	82L/min
<b>Relief Valve Pressure</b>	24131.7kPa

### Hydraulic System

<b>Raise Time</b>	9.1sec
<b>Dump Time</b>	2.4sec
<b>Lower Time</b>	7.7sec