

Safety - General instructions
(you must also read the Safety Manual)

1. Read and understand this Manual before starting and operating the machine. The operator must be familiar with the equipment contents before operating it.
2. Observe and follow all the Maintenance Section instructions.
3. Only experienced/trained operators are allowed to operate the machine. NEVER allow the presence of passengers and ALWAYS remain seated while operating the equipment.
4. Do not operate the equipment if adjustment or repairs are necessary.
5. Use ladders and rails to enter and leave the cab. NEVER enter or leave the machine while it is moving.
6. The ROPS (Roll Over Protective Structure) should always be used when the machine is operated on unsafe ground. Always use the seat belt when the ROPS is on.
7. Use the first gear on sharp turns.
8. Avoid driving close to cliffs or sharp side slopes. Operate the machine on first gear and always check the brakes.
9. When driving close to edges or holes, make sure at least 2/3 of the wheels are on the previously compacted materials.
10. Make sure there are no obstacles over your head during the travel. Always look up and down during the travel. Make sure there are no obstacles in the direction of travel - on the ground, in front or behind the roller.
11. Drive particularly carefully on uneven ground.
12. Follow all the safety rules and use the protection equipment proper to the work to be performed.
13. Keep the roller clean. Clean immediately dirt, oil and grease accumulated on the operator platform. Keep all the signs, lanterns, headlights and decals clean, visible and legible.
14. Observe the following safety measures before refueling:
 - Turn off the engine;
 - Do not smoke;
 - Do not allow sparks or flame next to the equipment;
 - To avoid sparks, ground the filling nozzle.
15. Before performing any maintenance operation, chock the roller wheels and apply the emergency/parking brakes.
16. Hearing protection is recommended if the machine's noise level exceeds 85 dB (A). The noise level can vary depending on the work the machine performs.
17. Do not make any changes on the machine, under the risk of affecting the personal safety as well the equipment's. Any change on the machine demands a previous written approval by *DYNAPAC*.
18. Avoid using the machine before the hydraulic oil reaches the normal operating temperature. The braking distance may be longer than normal if the oil is cold. Refer to the operation instructions on "Stop", in the "Operation" section.

19. For your own protection, always wear:
 - Helmet;
 - Working boots with steel toecaps;
 - Ear protectors;
 - Reflecting clothing;
 - Working gloves.
20. If there is a cab in the machine, operate it always with the doors closed and with the seat belt.

Safety - When operating



Avoid people entering at the danger area, that is, at a distance of at least 23 ft (7 m) in all the directions from the machine operating. The operator can allow one person to be at the danger area, but in this case, care must be taken and the machine can only be operated when this person is in a visible place or with clear indication of where he/she is.

Operating on slopes



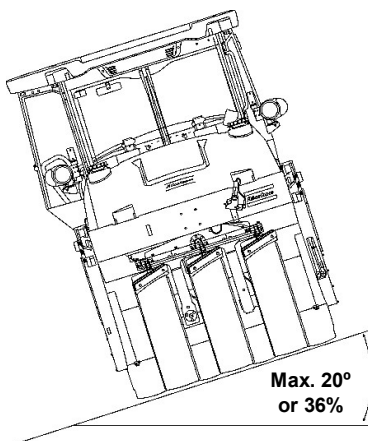
The machine must never be operated from the outside of the cab. The operator shall be seated when operating.

Slopes

This angle was measured on a flat, hard surface and with the machine in a stationary position.

The steering angle is zero, the tires pressure is normal and all the tanks are full.

Always remember that loosen ground, the steering of the machine, different tire pressures, the operation speed and the gravity center raising may cause the machine to turn, even on slopes smaller than the ones stated here.



If you need to leave the cab in emergency situations, take off the hammer at the rear pillar on the right and break the opening windows that are also on the right.



It is recommended that ROPS (Roll Over Protective Structure) is always used when driving on slopes or unsafe ground.



Whenever possible, avoid driving across slopes. On slopes, drive straight up and down.



The speed must always be slow when operating on slopes.



Always operate the machine with the doors closed and with the seat belt.

Transport on steep ground

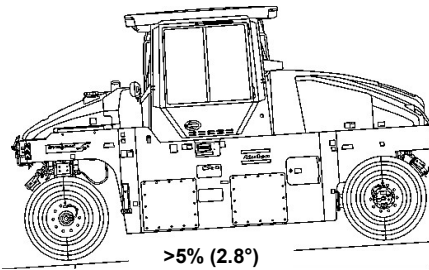


Fig.: Steep ground
v < max. speed. (9.3 mph or 15 km/h).

During the transport on steep ground (slope >5%), be careful to not exceed the roller's maximum speed.

Take your foot off the throttle pedal and use the engine brake system. Also use the main brake if the speed keeps increasing.

Selecting the low speed will increase the engine brake system efficacy and also the life of the braking system.

Operation and transport on steep ground

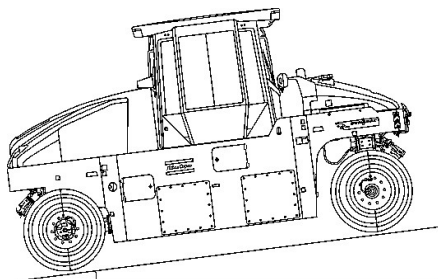


Fig.: Steep slope
 Low speed (up to 4.7 mph or 7.5 km/h)

Always drive the machine in slow speed when operating or during transport on steep ground.



(>15%).

To drive or stop the machine, the rear wheels shall **always** be towards the slope, that is, the roller shall go up normally and shall go down in reverse.



Make sure there are no obstacles both in front or behind your work area.

Driving near edges

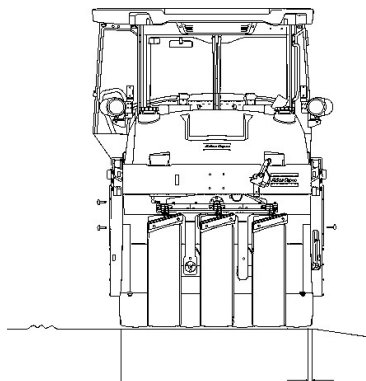


Fig.: Position of wheel when driving near edges.

When driving close to edges or holes, make sure that at least ¼ of the tires is on the compacted ground.

Safety – Option items

Air conditioning

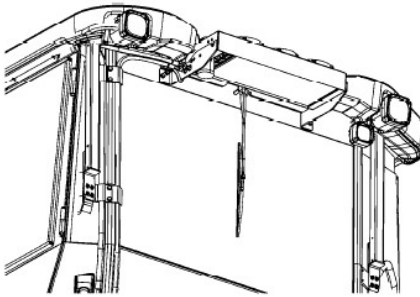






Fig. Air conditioning

-  **The system contains pressurized refrigerant. It is forbidden to release refrigerant to the atmosphere.**
-  **The maintenance of the air conditioning system shall be carried out only by trained people and with the proper tools and equipment.**
-  **The air conditioning system is pressurized. The incorrect handling can result in serious personal injury. Do not loose or disconnect hoses and connections with the system loaded.**
-  The system must be refilled with approved coolant when necessary. Refer to the safety decal next to the replacement and filling place.

Edge cutter

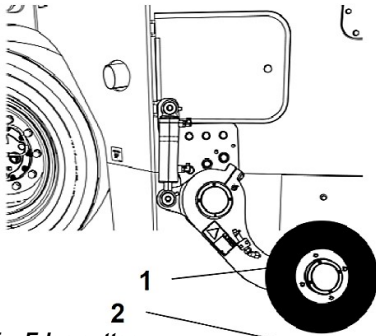






Fig. Edge cutter
1. Transport position
2. Work position

-  **The operator must make sure that nobody is in the work place when the machine is operating.**
-  **The edge cutter has rotating components which may cause crushing.**
-  Immediately after use, the tool shall always be put back on the transport position (1) that is, on the raised position.
-  **If the edge cutter and its components are dismantled, make sure that it is made with the machine in a safe position and that it is on the ground.**

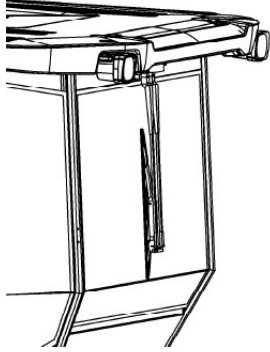


Fig. Xenon working lights

Working lights - Xenon



CAUTION! High voltage!

The working lights are Xenon type and have a high voltage auxiliary source of power.

Any maintenance on the lighting system shall be performed by authorized technicians and the main power source shall be off.



CAUTION! Environmentally hazardous waste!

The xenon lamps of the working lights contain mercury (Hg).

A defective lamp is considered a hazardous waste and shall be disposed of properly, according to the applicable local directives.

Contact an **DYNAPAC** dealer!