



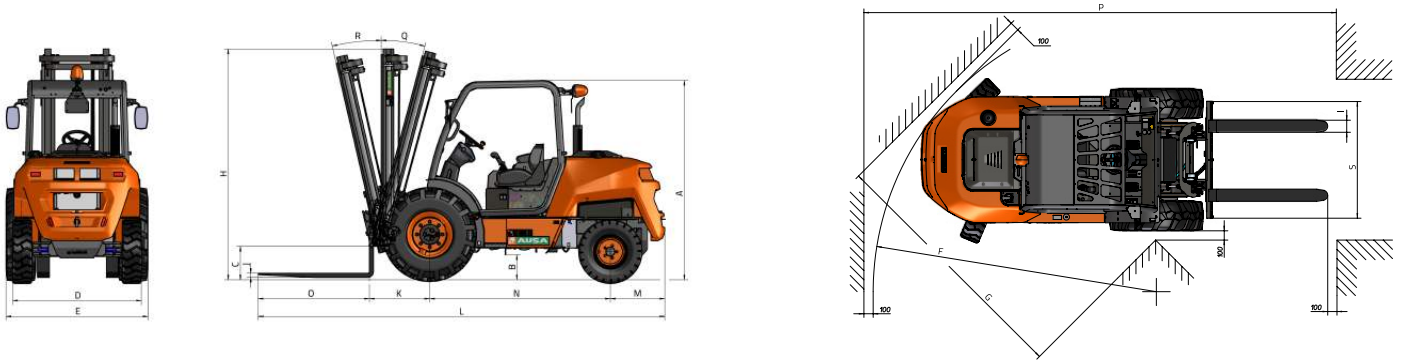
TECHNICAL DATA

GENERAL		C 251 H	C 251 H x4
Load capacity to 24"	lb	5,000	5,000
Unladen weight *	lb	9,040	9,380
Transmission	-	Hydrostatic, with continuous speed control	Hydrostatic, with continuous speed control
MAST			
Fork carriage	-	FEM 2	FEM 2
Carriage width	in	49.6 / 65.3	49.6 / 65.3
ENGINE			
Make	-	KUBOTA	KUBOTA
Model	-	V2403-CR E5B	V2403-CR E5B
Power	hp	41.8	41.8
Operating speed	r/min	2,200	2,200
Torque	Nm@rpm	159.8@1600	159.8@1600
No. cylinders	-	4	4
Emissions	-	EPA Tier 4	EPA Tier 4
Ambient noise	dB(A)	104	104
DRIVING			
Max. speed	mph	12.4	12.4
Gradeability	%	25	38
Traction	-	4x2	4x4 FullGrip®
Front tires	-	12.5/80-18	12.5/80-18
Rear tires	-	7.00-12	10.0/75-15.3
HYDRAULIC SYSTEM			
Hydraulic circuit	gal/min	13.2	13.2
Working pressure	psi	3,045	3,045
TANK CAPACITY			
Fuel	gal	16.4	16.4
Hydraulic	gal	13.5	13.5
BRAKES			
Service	-	Hydraulic, multi-disc and sealed	Hydraulic, multi-disc and sealed
Parking	-	Negativ, multi-disc and sealed	Negativ, multi-disc and sealed

* It may change due to optional equipment

DIMENSIONS

TYPE OF MAST	Maximum lift (ft)	H		Free lift (in)	Load at maximum height @ 24" (lb) All-terrain use	
		Retracted mast height (in)	Extended mast height (in)		Narrow axle	Wide axle
Duplex mast (Std.)	10.83	96.8	165.9	4.7	5,000	-
Triplex mast	12.14	83.4	183.6	44.5	3,500	-
Triplex mast	14.11	90.5	208.6	52.3	-	4,350
Triplex mast	17.72	105.7	250.8	66.1	-	3,000



DIMENSIONS (in)	C 251 H	C 251 H x4
A	84.25	84.65
B	10.63	10.83
C	14.17	13.15
D	54.72	60.91
E	59.84	59.84
E**	70.08	70.08
F	118.90	162.20
G	108.66	113.82
I	5.12	5.12
J	1.77	1.77
K	25.59	25.59
L	172.64	172.64
M	23.03	23.03
N	76.77	76.77
O	47.24	47.24
P	200.79	251.97
S	49.61	49.61
S***	62.99	62.99
DIMENSIONS (°)		
Q	14	14
R	11	11

** Measured with high-lift mast installed ***Measured for wide axle carriage



www.ausa.com

Products are subject to modifications without prior notice. Images throughout the spec sheet may refer to non-standard machines or non-available configurations depending on models.

AUSA's logo and corporate identity are property of the Company, they cannot be used without authorization.