



Operation & Safety Manual

*Original Instructions -
Keep this manual with the machine at all times.*

***Model
R2632, R3246***

PVC 2110

31219121

November 9, 2023 - Rev E

ANSI CE UK CA  AS/NZS GB MOL70

JLG
An Oshkosh Corporation Company

WARNING

Operating, servicing and maintaining this vehicle or equipment can expose you to chemicals including engine exhaust, carbon monoxide, phthalates, and lead, which are known to the State of California to cause cancer and birth defects or other reproductive harm. To minimize exposure, avoid breathing exhaust, do not idle the engine except as necessary, service your vehicle or equipment in a well-ventilated area and wear gloves or wash your hands frequently when servicing. For more information go to www.P65Warnings.ca.gov.

FOREWORD

The Mobile Elevating Work Platform (MEWP) models covered in this manual are designed and tested to meet or exceed various compliance standards. Please refer to the manufacturer's nameplate affixed to the subject MEWP for specific standard compliance information.

This manual is a very important tool! Keep it with the machine at all times.

The purpose of this manual is to provide owners, users, operators, lessors, and lessees with the precautions and operating procedures essential for the safe and proper machine operation for its intended purpose.

Due to continuous product improvements, JLG Industries, Inc. reserves the right to make specification changes without prior notification. Contact JLG Industries, Inc. for updated information.

Refer to www.JLG.com for Warranty, Product Registration, and other machine-related documentation.

SAFETY ALERT SYMBOLS AND SAFETY SIGNAL WORDS



This is the Safety Alert Symbol. It is used to alert you to the potential personal injury hazards. Obey all safety messages that follow this symbol to avoid possible injury or death.

⚠ DANGER

Indicates an imminently hazardous situation. If not avoided, will result in serious injury or death. This decal will have a red background.

⚠ WARNING

Indicates a potentially hazardous situation. If not avoided, could result in serious injury or death. This decal will have an orange background.

⚠ CAUTION

Indicates a potentially hazardous situation. If not avoided, may result in minor or moderate injury. It may also alert against unsafe practices. This decal will have a yellow background.

NOTICE

Indicates information or a company policy that relates directly or indirectly to the safety of personnel or protection of property.

⚠ WARNING

This product must comply with all safety related bulletins. Contact JLG Industries, Inc. or the local authorized JLG representative for information regarding safety related bulletins which may have been issued for this product.

NOTICE

JLG Industries, Inc. sends safety related bulletins to the owner of record of this machine. Contact JLG Industries, Inc. to ensure that the current owner records are updated and accurate.

NOTICE

JLG Industries, Inc. must be notified immediately in all instances where JLG products have been involved in an accident involving bodily injury or death or when substantial damage has occurred to personal property or the JLG product.

Foreword

For:

- Accident Reporting
- Product Safety Publications
- Current Owner Updates
- Questions Regarding Product Safety
- Standards and Regulations Compliance Information
- Questions Regarding Special Product Applications
- Questions Regarding Product Modifications

Contact:

Product Safety and Reliability Department

JLG Industries, Inc.

13224 Fountainhead Plaza

Hagerstown, MD 21742

USA

or Visit www.jlg.com to find your local JLG office.

In USA:

Toll Free: 877-JLG-SAFE (877-554-7233)

Outside USA:

Phone: 240-420-2661

Fax: 301-745-3713

E-mail: ProductSafety@JLG.com

REVISION LOG

DATE	REVISION	DESCRIPTION
October 11, 2021	A	Original Issue
October 11, 2021	B	Revision
December 8, 2021	C	Revision
February 18, 2022	D	Revision
November 9, 2023	E	Revision

This Page is intentionally left blank

SECTION CONTENTS

Section	Subject	Page
FOREWORD		3
REVISION LOG		7
SECTION 1		
SAFETY PRECAUTIONS		13
1.1	General	13
1.2	Pre-Operation	13
1.3	Operation	15
1.4	Towing, Lifting, and Hauling	21
SECTION 2		
USER RESPONSIBILITIES, MACHINE PREPARATION, AND INSPECTION		23
2.1	Personnel Training	23
2.2	Preparation, Inspection, and Maintenance	24
2.3	Pre-Start Inspection	25
2.4	Walk-Around Inspection	27
2.5	Function Check	29
SECTION 3		
MACHINE CONTROLS, INDICATORS, AND OPERATION		33
3.1	General	33
3.2	DESCRIPTION	33
3.3	Operating Characteristics and Limitations	34
3.4	Platform Loading	34
3.5	Battery Charging	34
3.6	MACHINE CONTROL LOCATIONS	36
3.7	Ground Control Station	37
3.8	Platform Control Station	40
3.9	Grade And Side Slope	46
3.10	Platform Extension	46
3.11	PLATFORM RAILS FOLD-DOWN PROCEDURE (IF EQUIPPED)	48
3.12	PLATFORM MANUAL DESCENT CONTROL	50

Section Contents

3.13	Parking and Stowing Machine.....	51
3.14	MACHINE LIFTING AND TIE DOWN.....	53
3.15	TOWING.....	55
3.16	Safety Decal Locations.....	57
3.17	Decals.....	58

SECTION 4 EMERGENCY PROCEDURES 63

4.1	General.....	63
4.2	Incident Notification.....	63
4.3	Emergency Operation.....	63
4.4	PLATFORM MANUAL DESCENT CONTROL.....	64

SECTION 5 ACCESSORIES..... 67

5.1	Available Accessories.....	67
5.2	DC/AC Power Inverter.....	69
5.3	Pipe Racks.....	71
5.4	Anti-Vandalism Package.....	73
5.5	Platform Extension Handles.....	74
5.6	Footswitch.....	74
5.7	Magnetic Gate Latch.....	75
5.8	JLG Mobile Control®.....	76
5.9	Skysense™.....	77
5.10	Heavy Duty Tool Tray.....	81

SECTION 6 SPECIFICATIONS AND OPERATOR MAINTENANCE..... 83

6.1	General.....	83
6.2	Other Publications Available.....	83
6.3	Serial Number Identification.....	83
6.4	MACHINE SPECIFICATIONS.....	84
6.5	Battery Maintenance and Charging.....	88
6.6	Battery Quick-Disconnect.....	91
6.7	Lubrication Specifications.....	91
6.8	Safety Prop.....	93
6.9	Hydraulic Oil Check Procedure.....	96
6.10	Diagnostic Trouble Codes (DTC).....	98
6.11	Supplemental Information Only Applicable to CE/UKCA Machines.....	108

6.12	EC Declaration of Conformity.....	109
6.13	UKCA Declaration of Conformity	110

This Page is intentionally left blank

SECTION 1

Safety Precautions

1.1 GENERAL

This section outlines the necessary precautions for proper and safe machine usage and maintenance. It is mandatory that a daily routine is established based on the content of this manual to promote proper machine usage. A maintenance program, using the information provided in this manual and the Service & Maintenance Manual, must also be established by a qualified person and must be followed to ensure that the machine is safe to operate.

The owner/user/operator/lessor/lessee of the machine must not accept operating responsibility until this manual has been read, training is accomplished, and operation of the machine has been completed under the supervision of an experienced and qualified operator.

This section contains the responsibilities of the owner, user, operator, lessor, and lessee concerning safety, training, inspection, maintenance, application, and operation. If there are any questions with regard to safety, training, inspection, maintenance, application, and operation, please contact JLG Industries, Inc. ("JLG").

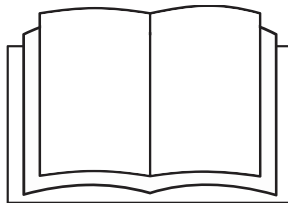
⚠ WARNING

Failure to comply with the safety precautions listed in this manual could result in machine damage, property damage, personal injury or death.

1.2 PRE-OPERATION

1.2.1 Operator Training and Knowledge

- Read, understand, and study the Operation & Safety Manual in its entirety before operating the machine. For clarification, questions, or additional information regarding any portions of this manual, contact JLG Industries, Inc.



- Only personnel who have received proper training regarding the inspection, application and operation of MEWPs (including recognizing and avoiding hazards associated with their operation) shall be authorized to operate a MEWP.

Safety Precautions

- Only properly trained personnel who have received unit-specific familiarization shall operate a MEWP. The user shall determine if personnel are qualified to operate the MEWP prior to operation.
- Read, understand, and obey all DANGERS, WARNINGS, CAUTIONS, and operating instructions on the machine and in this manual.
- Ensure that the machine is to be used in a manner which is within the scope of its intended application as determined by JLG.
- All operating personnel must have a thorough understanding of the intended purpose and function of the MEWP controls, including platform, ground and emergency descent controls.
- Read, understand, and obey all applicable employer, local, and governmental regulations as they pertain to your utilization and application of the machine.

1.2.2 Workplace Inspection

- Precautions to avoid all hazards in the work area must be taken by the user before and during operation of the machine.
- Do not operate or raise the platform from a position on trucks, trailers, railway cars, floating vessels, scaffolds or other equipment unless the application is approved in writing by JLG.
- Before operation, check work area for overhead hazards such as electric lines, bridge cranes, and other potential overhead obstructions.
- Check operating surfaces for holes, bumps, drop-offs, obstructions, debris, concealed holes, and other potential hazards.
- Check the work area for hazardous locations. Do not operate the machine in hazardous environments unless approved for that purpose by JLG.
- Ensure that the ground conditions are adequate to support the maximum tire load indicated on the tire load decals located on the chassis adjacent to each wheel. Do not travel on unsupported surfaces.
- This machine can be operated in nominal ambient temperatures of 0° F to 104° F (-20° C to 40° C). Consult JLG to optimize operation outside of this temperature range.

1.2.3 Machine Inspection

- Do not operate this machine until the inspections and functional checks as specified in the User Responsibilities, Machine Preparation, and Inspection Section of this manual have been performed.
- Do not operate this machine until it has been serviced and maintained according to the maintenance and inspection requirements as specified in the machine's Service & Maintenance Manual.
- Ensure all safety devices are operating properly. Modification of these devices is a safety violation.

WARNING

Modification or alteration of a MEWP shall be made only with prior written permission from the manufacturer.

- Do not operate any machine on which the safety or instruction placards or decals are missing or illegible.
- Check the machine for modifications to original components. Ensure that any modifications have been approved by JLG.
- Avoid accumulation of debris on platform floor. Keep mud, oil, grease, and other slippery substances from footwear and platform floor.

1.3 OPERATION

1.3.1 General

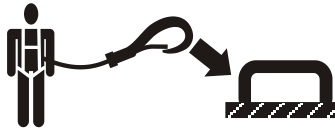
- Machine operation requires your full attention. Bring the machine to a full stop before using any device, i.e. cell phones, two-way radios, etc. that will distract your attention from safely operating the machine.
- Do not use the machine for any purpose other than positioning personnel, their tools, and equipment.
- Before operation, the user must be familiar with the machine capabilities and operating characteristics of all functions.
- Never operate a malfunctioning machine. If a malfunction occurs, shut down the machine. Remove the unit from service and notify the proper authorities.
- Do not remove, modify, or disable any safety devices.
- Never slam a control switch or lever through neutral to an opposite direction. Always return switch to neutral and stop before moving the switch to the next function. Operate controls with slow and even pressure.
- Do not allow personnel to tamper with or operate the machine from the ground with personnel in the platform, except in an emergency.
- Do not carry materials directly on platform railing unless approved by JLG.
- When two or more persons are in the platform, the operator shall be responsible for all machine operations.
- Always ensure that power tools are properly stowed and never left hanging by their cord from the platform work area.
- Do not assist a stuck or disabled machine by pushing or pulling except by pulling at the chassis tie-down lugs.
- Fully lower platform and shut off all power before leaving machine.

Safety Precautions

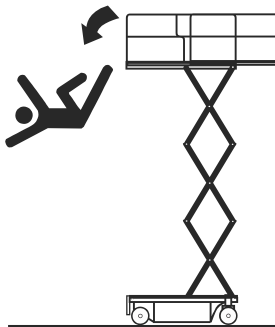
- Remove all rings, watches, and jewelry when operating machine. Do not wear loose fitting clothing or long hair unrestrained which may become caught or entangled in equipment.
- Persons under the influence of drugs or alcohol or who are subject to seizures, dizziness or loss of physical control must not operate this machine.
- Hydraulic cylinders are subject to thermal expansion and contraction. This may result in changes to the platform position while the machine is stationary. Factors affecting thermal movement can include the length of time the machine will remain stationary, hydraulic oil temperature, ambient air temperature, and platform position.

1.3.2 Trip and Fall Hazards

- Prior to operation, ensure all gates and rails are fastened and secured in their proper position.



- JLG Industries, Inc. recommends that all persons in the platform wear a full body harness with a lanyard attached to an authorized lanyard anchorage point while operating this machine. For further information regarding fall protection requirements on JLG products, contact JLG Industries, Inc.
- Identify the designated lanyard anchorage point (s) at the platform and securely attach the lanyard. Attach only one (1) lanyard per lanyard anchorage point.
- Enter and exit only through gate area. Use extreme caution when entering or leaving platform. Ensure that the platform assembly is fully lowered. Face the machine when entering or leaving the platform. Always maintain “three point contact” with the machine, using two hands and one foot or two feet and one hand at all times during entry and exit.

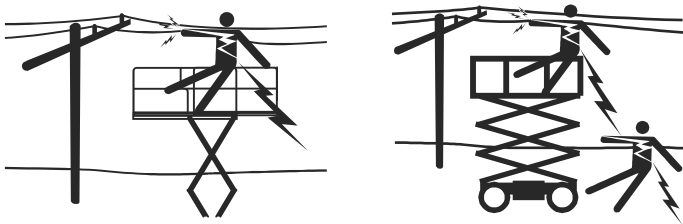


- Keep both feet firmly positioned on the platform floor at all times. Never position ladders, boxes, steps, planks, or similar items on unit to provide additional reach for any purpose.

- Never use the scissor arm assembly to gain access to or leave the platform.
- Keep oil, mud, and slippery substances cleaned from footwear and the platform floor.

1.3.3 Electrocution Hazards

- This machine is not insulated and does not provide protection from contact with or proximity to electrical current.
- It is not recommended to use the machine during lightning. To prevent injury or machine damage if lightning occurs during operation, lower the boom and shut down the machine in a safe and secure location.



- Maintain distance from electrical lines, apparatus, or any energized (exposed or insulated) parts according to the Minimum Approach Distance (MAD) as shown in [Table — Minimum Approach Distances \(MAD\), page 17](#).
- Allow for machine movement and electrical line swaying.

Table 1. Minimum Approach Distances (MAD)

Voltage Range (Phase to Phase)	Minimum Approach Distance in Feet (Meters)
0 to 50 KV	10 (3)
Over 50K V to 200 KV	15 (5)
Over 200 KV to 350 KV	20 (6)
Over 350 KV to 500 KV	25 (8)
Over 500 KV to 750 KV	35 (11)
Over 750 KV to 1000 KV	45 (14)
<p>Note: This requirement shall apply except where employer, local or governmental regulations are more stringent.</p>	

- Maintain a clearance of at least 10 ft (3m) between any part of the machine and its occupants, their tools, and their equipment from any electrical line or apparatus carrying up to 50,000 volts. One foot additional clearance is required for every additional 30,000 volts or less.

Safety Precautions

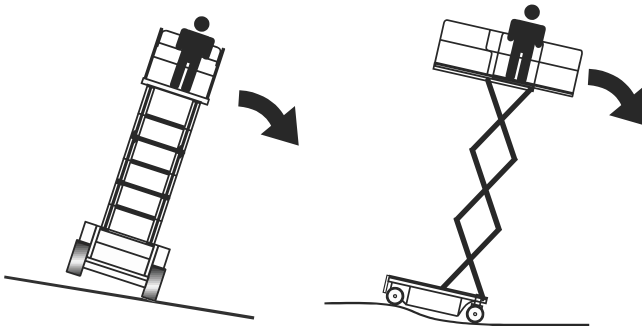
- The MAD may be reduced if insulating barriers are installed to prevent contact, and the barriers are rated for the voltage of the line being guarded. These barriers shall not be part of (or attached to) the machine.
- The MAD shall be reduced to a distance within the designed working dimensions of the insulating barrier. This determination shall be made by a qualified person with respect to electrical transmission and distribution in accordance with the employer, local, or governmental requirements for work practices near energized equipment.

⚠ DANGER

Do not maneuver machine or personnel inside prohibited zone (MAD). Assume all electrical parts and wiring are energized unless known otherwise.

1.3.4 Tipping Hazards

- Ensure that the ground conditions are adequate to support the maximum tire load indicated on the tire load decals located on the chassis adjacent to each wheel. Do not travel on unsupported surfaces.
- The user must be familiar with the operating surface before driving. Do not exceed the allowable side slope and grade while driving.



- Do not elevate platform or drive with platform elevated while on or near a sloping, uneven, or soft surface.
- Ensure machine is positioned on a smooth, firm surface within the limits of the maximum operating slope before elevating platform or driving with the platform in the elevated position.
- Before driving on floors, bridges, trucks, and other surfaces, check allowable capacity of the surfaces.
- Never exceed the maximum platform capacity as specified on the platform. Keep all loads within the confines of the platform, unless authorized by JLG.
- Keep the chassis of the machine a minimum of 2 ft (0.6m) from holes, bumps, drop-offs, obstructions, debris, concealed holes, and other potential hazards at the ground level.

- Do not push or pull any object with the machine.
- Never attempt to use the machine as a crane. Do not tie-off machine to any adjacent structure. Never attach wire, cable, or any similar items to platform.
- If the scissor arm assembly or platform is caught so that one or more wheels are off the ground, all persons must be removed before attempting to free the machine. Use cranes, forklift trucks, or other appropriate equipment to stabilize machine.
- Do not operate the machine when wind conditions, including gusts, exceed specifications shown in the Machine Specifications and Operator Maintenance section. Refer to *Table — Beaufort Scale (For Reference Only), page 20*. Factors affecting wind speed are; platform elevation, surrounding structures, local weather events, and approaching storms.
- Wind speed can be significantly greater at height than at ground level.
- Wind speed can change rapidly. Always consider approaching weather events, the time required to lower the platform, and methods to monitor current and potential wind conditions.
- Do not cover or increase surface area of the platform or the load. Do not carry large surface area items in the platform when operating outdoors. The addition of such items increases the exposed wind area of the machine. Increased areas exposed to wind will decrease stability.
- Do not increase the platform size with unauthorized modifications, deck extensions, or attachments.

WARNING

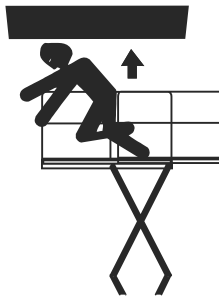
Do not operate the machine when wind conditions exceed specifications shown in the General Specifications section of this manual or as shown on the capacity placard on the platform billboard.

Table 2. Beaufort Scale (For Reference Only)

Beaufort Number	Wind Speed		Description	Land Conditions
	mph	m/s		
0	0	0-0.2	Calm	Calm. Smoke rises vertically
1	1-3	0.3-1.5	Light air	Wind motion visible in smoke
2	4-7	1.6-3.3	Light breeze	Wind felt on exposed skin. Leaves rustle
3	8-12	3.4-5.4	Gentle breeze	Leaves and smaller twigs in constant motion
4	13-18	5.5-7.9	Moderate breeze	Dust and loose paper raised. Small branches begin to move.
5	19-24	8.0-10.7	Fresh breeze	Smaller trees sway.
6	25-31	10.8-13.8	Strong breeze	Large branches in motion. Flags waving near horizontal. Umbrella use becomes difficult.
7	32-38	13.9-17.1	Near Gale/Moderate Gale	Whole trees in motion. Effort needed to walk against the wind.
8	39-46	17.2-20.7	Fresh Gale	Twigs broken from trees. Cars veer on road.
9	47-54	20.8-24.4	Strong Gale	Light structure damage.

1.3.5 Crushing and Collision Hazards

- Approved head gear must be worn by all operating and ground personnel.
- Watch for obstructions around machine and overhead when driving. Check clearances above, on sides, and bottom of platform during all operations.



- During operation, keep all body parts inside platform railing.
- Keep hands and limbs out of the scissor arm assembly during operation and when elevated without safety prop engaged.
- Always post a lookout when driving in areas where vision is obstructed.

- Keep non-operating personnel at least 6 ft (1.8 m) away from machine during all operations.
- Under all travel conditions, the operator must limit travel speed according to conditions of ground surface, congestion, visibility, slope, location of personnel, and other factors.
- Be aware of stopping distances in all drive speeds. When driving in high speed, reduce drive speed before stopping. Travel grades in low speed only.
- Do not use high speed drive in restricted or close quarters or when driving in reverse.
- Exercise extreme caution at all times to prevent obstacles from striking or interfering with operating controls and persons in the platform.
- Ensure that operators of other overhead and floor level machines are aware of the MEWP's presence. Disconnect power to overhead cranes. Barricade floor area if necessary.
- Do not operate over ground personnel. Warn personnel not to work, stand, or walk under a raised boom or platform. Position barricades on floor if necessary.

WARNING

If driving machine with the platform control station from ground, do not hang the control box on any part of the machine while driving. Hold the control box and keep at least 3 ft (1 m) distance from machine.

1.4 TOWING, LIFTING, AND HAULING

- Never allow personnel in platform while towing, lifting, or hauling.
- This machine should not be towed, except in the event of emergency, malfunction, power failure, or loading/unloading. Refer to the Emergency Procedures section of this manual for emergency towing procedures.
- Ensure platform is fully retracted and completely empty of tools prior to towing, lifting or hauling.
- When lifting machine with a forklift, position forks only at designated areas of the machine. Lift with a forklift of adequate capacity.
- Refer to the Machine Operation section of this manual for lifting information.

This Page is intentionally left blank

SECTION 2

User Responsibilities, Machine Preparation, and Inspection

2.1 PERSONNEL TRAINING

The Mobile Elevating Work Platform (MEWP) is a personnel handling device, so it is necessary that it be operated and maintained only by trained personnel.

2.1.1 Operator Training

Operator training must cover:

1. Reading and understanding the Operation and Safety Manual.
2. Thorough understanding of the intended purpose and function of the MEWP controls, including platform, ground, and emergency descent controls.
3. Control labels, instructions, and warnings on the machine.
4. Applicable regulations, standards, and safety rules.
5. Use of approved fall protection equipment.
6. Enough knowledge of the mechanical operation of the machine to recognize a malfunction or potential malfunction.
7. The safest means to operate the machine where overhead obstructions, other moving equipment, and obstacles, depressions, holes, and drop-offs exist.
8. Means to avoid the hazards of unprotected electrical conductors.
9. Selection of the appropriate MEWP and available options for the work to be performed considering specific job requirements, with involvement from the MEWP owner, user, and/ or supervisor.
10. The responsibility of the operator to ensure all platform occupants have a basic level of knowledge to work safely on the MEWP, and to inform them of applicable regulations, standards, and safety rules.
11. The requirement for familiarization in addition to training.

2.1.2 Training Supervision

Training must be delivered by a qualified person in an open area free of hazards until the trainee has demonstrated the ability to safely control and operate the machine.

2.1.3 Operator Responsibility

The operator must be instructed that they have the responsibility and authority to shut down the machine in case of a malfunction or other unsafe condition of either the machine or the job site.

2.1.4 Machine Familiarization

Note: Responsibilities for familiarization may vary by region.

Only properly trained personnel who have received unit-specific familiarization shall operate a MEWP. The user shall determine if personnel are qualified to operate the MEWP prior to operation. The user shall ensure that after familiarization, the operator operates the MEWP for a sufficient period of time to achieve proficiency. When authorized by the user, self-familiarization can be achieved, if authorized, by a properly trained operator reading, understanding and following the manufacturer's operator's manual.

Prior to user's authorization of an operator to use a specific model of MEWP, the user shall ensure the operator is familiarized on the following:

1. Location of the manual storage compartment and the requirement to ensure the required manual(s) are present on the MEWP;
2. Purpose and function of the machine controls and indicators at the platform and ground control stations;
3. Purpose, location, and function of the emergency controls;
4. Operating characteristics and limitations;
5. Features and devices;
6. Accessories and optional equipment.

2.2 PREPARATION, INSPECTION, AND MAINTENANCE

The following table covers machine inspections and maintenance required by JLG Industries, Inc. Consult local regulations for further requirements for MEWPs. The frequency of inspections and maintenance must be increased as necessary when the machine is used in a harsh or hostile environment, if the machine is used with increased frequency, or if the machine is used in a severe manner.

Table 3. Inspection and Maintenance Table

Type	Frequency	Primary Responsibility	Service Qualification	Reference
Pre-Start Inspection	Before using each day; or whenever there is an Operator change	User or Operator	User or Operator	Operation & Safety Manual
Pre-Delivery Inspection (See Note)	Before each sale, lease, or rental delivery	Owner, Dealer, or User	Qualified JLG Mechanic	Service & Maintenance Manual and applicable JLG inspection form
Frequent Inspection (See Note)	In service for 3 months or 150 hours, whichever comes first or Out of service for a period of more than 3 months or Purchased used	Owner, Dealer, or User	Qualified JLG Mechanic	Service & Maintenance Manual and applicable JLG inspection form
Annual Machine Inspection (See Note)	Annually, no later than 13 months from the date of prior inspection	Owner, Dealer, or User	Factory Trained Service Technician (Recommended)	Service & Maintenance Manual and applicable JLG inspection form
Preventive Maintenance	At intervals as specified in the Service & Maintenance Manual	Owner, Dealer, or User	Qualified JLG Mechanic	Service & Maintenance Manual
Note: Inspection forms are available from JLG. Use the Service & Maintenance Manual to perform inspections.				

NOTICE

JLG Industries, Inc. recognizes a factory trained service technician as a person who has successfully completed the JLG Service Training School for the specified JLG product model.

2.3 PRE-START INSPECTION

The Pre-Start Inspection should include each of the following:

1. **Cleanliness** – Check all surfaces for leakage (oil, fuel, or battery fluid) or foreign objects. Report any leakage to the proper maintenance personnel.

2. **Structure** – Inspect the machine structure for dents, damage, weld or parent metal cracks or other discrepancies.

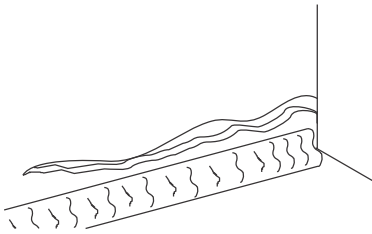


Figure 1. Parent Metal Crack

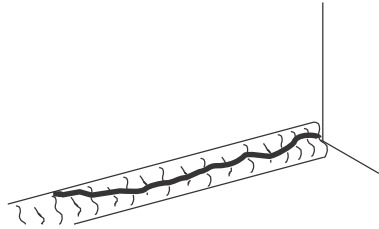


Figure 2. Weld Crack

3. **Decals and Placards** – Check all for cleanliness and legibility. Make sure none of the decals and placards are missing (refer to the Decal Installation in [Section – General Specifications and Operator Maintenance](#)). Make sure all illegible decals and placards are cleaned or replaced.
4. **Operation and Safety Manuals** – Make sure a copy of the Operation and Safety Manual, AEM Safety Manual (ANSI markets only), and ANSI Manual of Responsibilities (ANSI markets only) is enclosed in the weather resistant storage container.
5. **Walk-Around Inspection** – Perform as instructed.
6. **Battery** – Charge as required.
7. **Fuel** (Combustion Engine Powered Machines) – Add the proper fuel as necessary.
8. **Hydraulic Oil** – Check the hydraulic oil level. Ensure hydraulic oil is added as required.
9. **Function Check** – Once the Walk-Around Inspection is complete, perform a functional check of all systems in an area free of overhead and ground level obstructions. Refer to Section 3 for more specific instructions on the operation of each function.
10. **Accessories/Attachments** - Refer to the Accessories section in this manual or accessory installed upon the machine for specific inspection, operation, and maintenance instructions.
11. **Platform Gate** – Keep gate and surrounding area clean and unobstructed. Ensure the gate closes properly and is not bent or damaged. Keep gate closed at all times except when entering/ exiting the platform and loading/unloading materials.

12. **Lanyard Anchorage Points** – JLG Industries, Inc. recommends personnel in the platform wear a full body harness with a lanyard attached to an authorized lanyard anchorage points (1).

⚠ WARNING

If the machine does not operate properly, turn off the machine immediately! Report the problem to the proper maintenance personnel. Do not operate the machine until it is declared safe for operation.

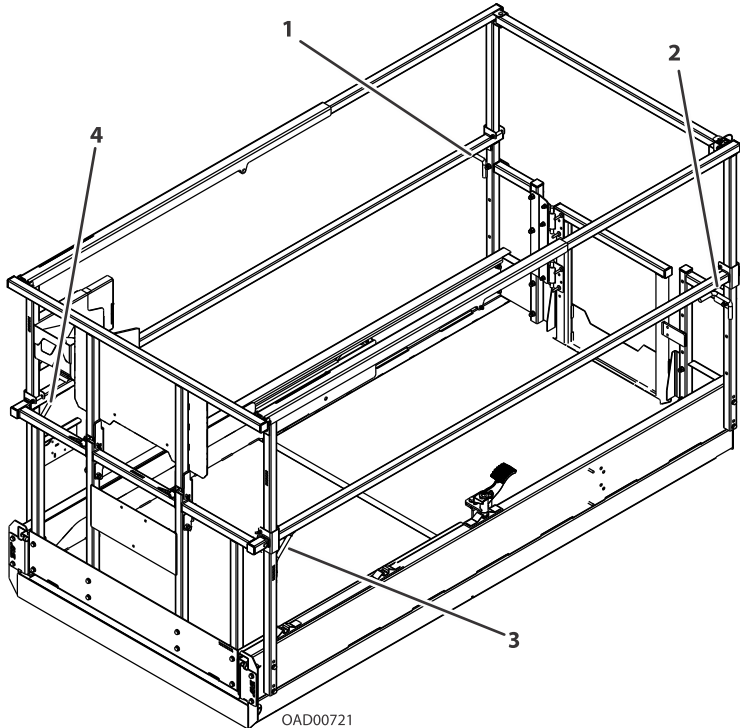


Figure 3. Lanyard Attach Points

2.4 WALK-AROUND INSPECTION

Begin the Walk-Around Inspection at item 1 as noted on the Inspection Diagram. Continue checking each item in sequence for the conditions listed in the following checklist.

WARNING

To avoid possible injury, be sure machine power is off. Do not operate until all malfunctions have been corrected.

NOTICE

Do not overlook visual inspection of chassis underside. Checking this area may result in discovery of conditions which could cause extensive machine damage.

Note: On all components, make sure there are no loose or missing parts, that they are securely fastened, and that no visible damage, leaks, or excessive wear exists in addition to any other criteria mentioned.

1. **Frame/Chassis/Ladder** – Ensure pothole protection (PHP) components on frame are in place, undamaged, not bent or worn. Side compartment doors open and close properly. Refer to Inspection Note.
2. **Rear Wheels and Tires** – Wheel nut properly secured (refer to Section 6.6). Inspect wheels, steer linkage, and steer cylinder for damage and corrosion. Refer to Inspection Note.
3. **Ground Control Console** – Placard secure and legible, control switches return to neutral position when activated and released, emergency stop switch functions properly. Control markings legible.
4. **Hydraulic Pump/Motor, Control Valve Installation** – No unsupported wires or hoses; no damaged or broken wires. Refer to Inspection Note.
5. **Front Wheels and Tires** Wheel nut properly secured (refer to Section 6.6). Inspect wheels, steer linkage, and steer cylinder for damage and corrosion. Refer to Inspection Note.
6. **Battery Compartment** – Refer to Inspection Note.
7. **Scissor Arm Stack Assembly, Pivot Pins, Slide Wear Pads, Lift Cylinder** – Refer to Inspection Note.
8. **Platform/Rail/Gate Assembly** – Deck extension slides in and out and locks in place properly. All fold-down rail pins (if equipped) in place and secure. Refer to Inspection Note.
9. **Magnetic Gate Latch** – Gate swings freely and latches securely.
10. **Platform Control Console** – Ensure the control console is firmly secured in the proper location. Placards secure and legible, control lever and switches return to neutral when activated and released, and emergency stop switch function properly, required manual(s) in storage box.
11. **Safety Prop** – Refer to Inspection Note.
12. **Platform Manual Descent** – Refer to Inspection Note.

13. **Static Strap** – Refer to Inspection Note.

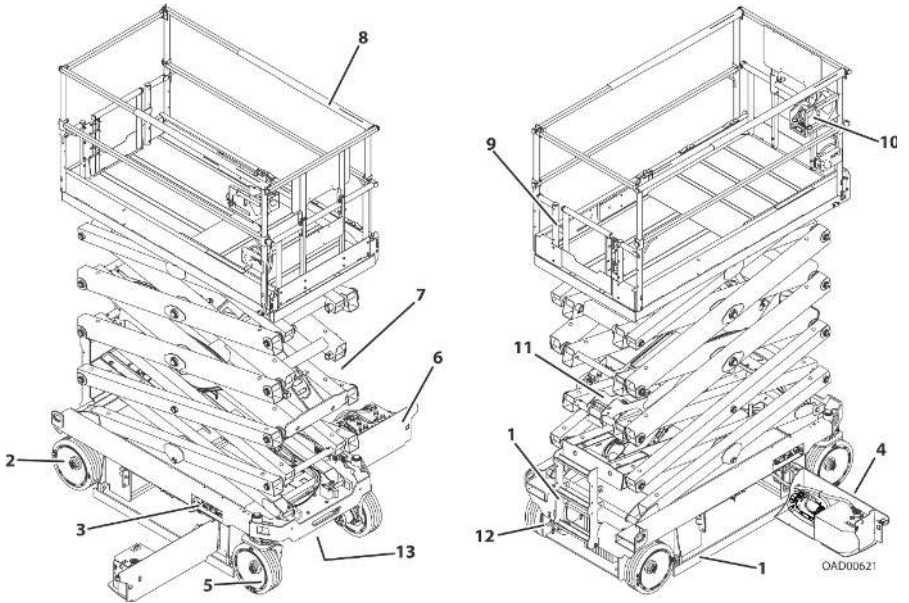
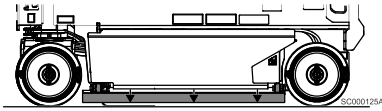


Figure 4. Inspection Diagram

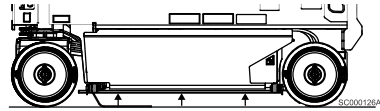
2.5 FUNCTION CHECK

Perform the Function Check as follows:

1. At the Ground Control Panel with no load in the platform:
 - a. Ensure the key selector switch and platform lift switch operate properly.
 - b. Ensure all machine functions are disabled when the Emergency Stop Button is depressed.
 - c. With the platform raised a few feet (1 m), ensure the manual descent control (T-handle located at rear of machine next to the battery charger) lowers the platform (refer to Section 3.8).
 - d. Verify the Pothole Protection bars are fully lowered when the platform is raised.



Platform Elevated — Pothole Bars Fully Lowered



Platform Fully Lowered - Pothole Bars Raised

2. From the **Platform Control Console**:
 - a. Ensure the control console is firmly secured in the proper location.
 - b. Ensure all guards protecting switches are in place.
 - c. Operate all switch functions, drive/lift mode select switch, and horn button.
 - d. Operate all platform joystick functions to ensure proper operation of drive, lift, steer, and enable trigger switch.
 - e. Ensure all machine functions stop when function control is released or when joystick trigger is released.
 - f. Ensure all machine functions are disabled when the platform Emergency Stop Button is depressed.
 - g. With the platform elevated on a smooth, firm, level surface with no overhead obstructions, drive the machine to check if the high drive cutback speed limit is engaged at the height indicated in Table 2-1. Ensure drive speed reduces from high speed to a slower speed.

Table 4. High Drive Cutout Height

MODEL	HIGH DRIVE SPEED CUTBACK HEIGHT	DRIVE SPEED REDUCTION
R2632	55 in (1.40 m)	2.0 mph (3.2 kph) to 0.5 mph (0.8 kph)
R3246	62 in (1.57 m)	2.2 mph (3.5 kph) to 0.5 mph (0.8 kph)

3. With the **platform in the stowed position**:

- a. Drive the machine on a grade, not to exceed the rated gradeability, and stop to ensure the drive motor brakes hold.
- b. Check the tilt indicator light to verify proper operation. The light should be illuminated if tilted beyond allowed settings shown in Table 2-2.

Note: When the tilt indicator warning is activated, drive and lift up functions are disabled and the platform must be fully lowered (stowed) to drive.

Table 5. Tilt Activation Setting

MODEL	TILT SETTING (Front to Back)	TILT SETTING (Side to Side)	Maximum Platform Elevation
R2632	3.5°	1.50° - indoor 1.50° - outdoor	20.5 ft - 25.5 ft (6.25 m - 7.77 m) 18 ft - 21 ft (5.5 m - 6.4 m)
		2.25° - indoor 2.50° - outdoor	16.5 ft - 20.5 ft (5 m - 6.25 m) 14 ft - 18 ft (4.3 m - 5.5 m)
		3.50° - indoor 4.50° - outdoor	55 in - 16.5 ft (1.4 m - 5 m) 55 in - 14 ft (1.4 m - 4.3 m)
R3246	3.5°	2.50° - indoor 1.50° - indoor (AUS Only) 1.50° - outdoor 2.50° - indoor/outdoor (JPN/KOR Only)	27 ft - 32 ft (8.23 - 9.75 m)
		2.75° - indoor 2.25° - indoor (AUS Only) 2.25° - outdoor	22 ft - 27 ft (6.7 - 8.23 m)
		3.75° - indoor 3.50° - indoor (AUS Only) 3.50° - outdoor	65 in - 22 ft (1.65 - 6.7 m)

This Page is intentionally left blank

SECTION 3

Machine Controls, Indicators, and Operation

3.1 GENERAL

NOTICE

The manufacturer has no direct control over machine application and operation, the user and operator are responsible for conforming with good safety practices.

This section provides the necessary information needed to understand machine controls and indicators.

⚠ WARNING

Do not raise platform unless the machine is on a smooth, firm surface, within the limits of the maximum operating slope, free of obstructions and holes.

To avoid serious injury, do not operate machine if any control levers or toggle switches controlling platform movement do not return to the off or neutral position when released.

If the platform does not stop when a control switch or lever is released, use the emergency stop switch to stop the machine.

3.2 DESCRIPTION

This machine is a Mobile Elevating Work Platform (MEWP) used to position personnel, along with their necessary tools and materials at work locations.

This MEWP has a primary operator control station in the platform. From this control station, the operator can drive and steer the machine in both forward and reverse directions, and raise and lower the platform.

The machine can be driven on a smooth, firm surface within the limits of the maximum operating slope from an elevated platform position. Refer to the subsection Steering and Traveling of this manual for specific requirements.

The machine also has a ground control station that can override the platform control station. Ground controls operate lift up and down functions only. Except for performing inspections and function checks, ground controls are to be used only in an emergency to lower the platform to the ground should the operator in the platform be unable to do so.

3.3 OPERATING CHARACTERISTICS AND LIMITATIONS

3.3.1 Placards

Important points to remember during operation are provided at the control stations by DANGER, WARNING, CAUTION, NOTICE, IMPORTANT and INSTRUCTION placards. This information is placed at various locations for the express purpose of alerting personnel of potential hazards constituted by the operating characteristics and limitations of the machine. See foreword for definitions of placard safety signal words.

3.3.2 Capacities

Raising platform above horizontal with or without any load in platform is based on the following criteria:

1. Machine is positioned on a smooth, firm surface within the limits of the maximum operating slope.
2. Load is within manufacturer's rated capacity.
3. All machine systems are functioning properly.

3.3.3 Stability

This machine, as originally manufactured by JLG and operated within its rated capacity on a smooth, firm surface, within the limits of the maximum operating slope, provides a stable aerial platform for all platform positions.

3.4 PLATFORM LOADING

The platform maximum rated load capacity is shown on a placard located on the platform billboard and ground control station and is based upon the machine positioned on a smooth, firm surface within the limits of the maximum operating slope. Refer to [Section – Machine Specifications](#) for the maximum platform capacity.

The platform is entered through an entry gate at the rear of the platform. Keep entry gate closed at all times except when entering/exiting the platform and loading/unloading materials.

Note: It is important to remember that the load should be evenly distributed on the platform. The load should be placed near the center of the platform when possible.

3.5 BATTERY CHARGING

Note: Park the machine in a well ventilated area before charging.

⚠ CAUTION

Only plug the charger into a properly installed and grounded outlet. Do not use ground adaptors or modify plug. Do not touch non-insulated portion of output connector or non-insulated battery terminal.

Do not operate charger if the AC supply cord is damaged or if the charger has received a sharp blow, been dropped, or otherwise damaged in anyway.

Always disconnect the charger AC supply before making or breaking the (POS/NEG) connections to the battery.

Do not open or disassemble charger.

The battery charger AC input plug is located inside the frame at the left rear of the machine next to the battery charger. See charger specific information in [Section — General Specifications and Maintenance](#).

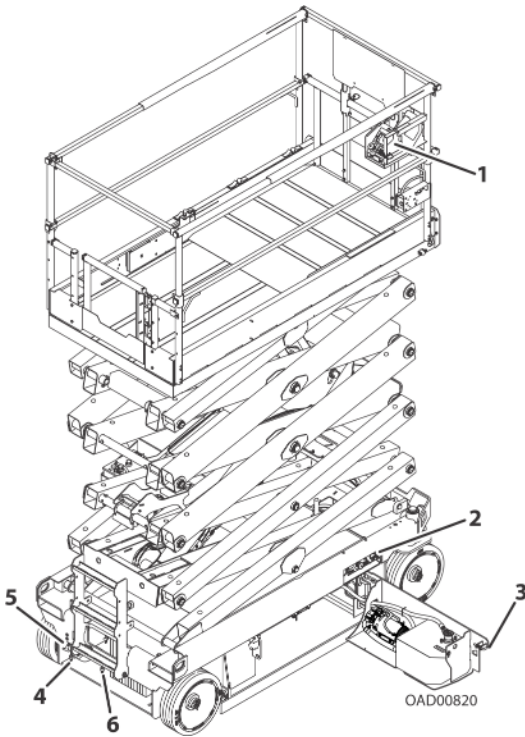
1. Connect the charger AC input plug to a grounded outlet using a 3 wire heavy duty extension cord.
2. After connecting the charger to an AC outlet at the start of the charging cycle, verify normal operation of the LED indicators on the charger (refer to [Section — Operator Maintenance](#)).

Note: Current battery charge state can also be seen on the platform control station panel LEDs or the MDI indicator (if equipped) on the ground control station when machine is powered up.

3. The batteries are fully charged when all three GREEN LED indicators on the platform control station or MDI battery charger status panel are illuminated.

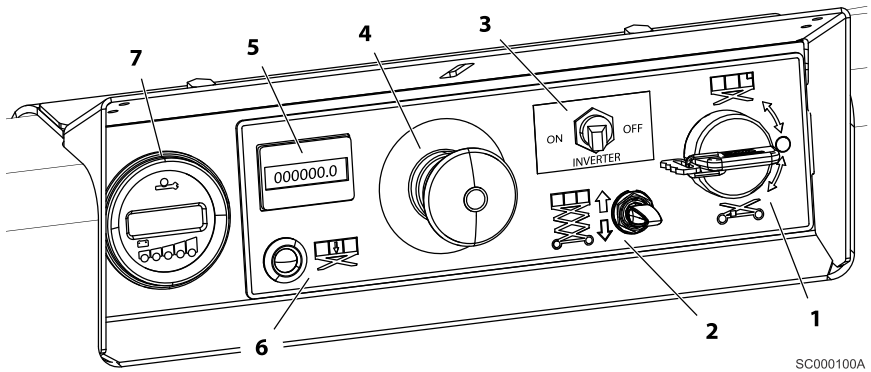
Note: If the charger is left plugged in, the charger will automatically restart a complete charge cycle if the battery voltage drops below a minimum voltage, or if 30 days has elapsed.

3.6 MACHINE CONTROL LOCATIONS



- 1. Platform Control Station
- 2. Ground Control Station
- 3. Side Compartment Door Latch (Both Sides)
- 4. A/C Plug (Battery Charger Input)
- 5. Platform Manual Descent
- 6. A/C Plug (Platform A/C Receptacle Outlet Box)

3.7 GROUND CONTROL STATION



- | | |
|--|--------------------------------|
| 1. Ground/Platform/OFF Key Selector Switch | 5. Hourmeter |
| 2. Platform Lift/Lower Switch | 6. Overload Indicator |
| 3. Inverter ON/OFF Switch (If Equipped) | 7. MDI Indicator (If Equipped) |
| 4. Ground Emergency Stop Button | |

3.7.1 Ground Control Station Functions

Ground Emergency Stop Switch

Power is turned on by pulling the switch out, and is turned off by depressing switch. A two-position, red, mushroom-shaped emergency stop switch, when positioned to ON with the key selector switch positioned to ground, furnishes operating power to the ground control station key switch. In addition, the switch can be used to turn off power to the function controls in the event of an emergency.



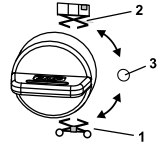
⚠ WARNING

Do not operate from ground control station with personnel in the platform except in an emergency.

Ground/Platform/OFF Key Selector Switch

The key selector switch on the Ground Control Station functions to direct electrical power to the desired control station.

With the switch turned to the ground position (1), power is supplied to the controls at the Ground Control Station. When the switch is turned to the platform position (2), power is supplied to the controls at the Platform Control Station. The switch should be set to the off position (3) when not using machine or parking the machine overnight.



Hourmeter

The machine is equipped with an hour meter to indicate the number of hours the machine has been operated.

000000
HOURS

Inverter ON/OFF Switch (If Equipped)

When switched on the inverter converts the DC voltage stored in the on-board batteries to AC voltage for use at the AC receptacle outlet mounted on the platform rail.

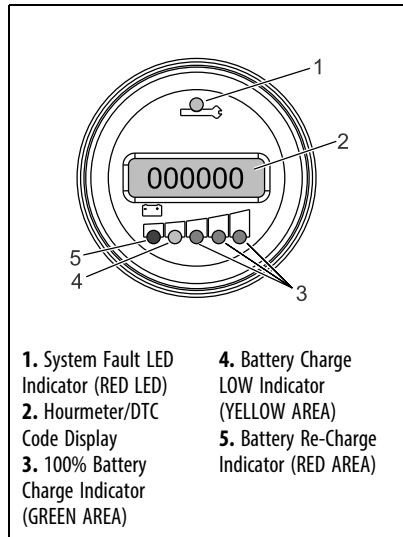
MDI Indicator (If Equipped)

The Multifunction Digital Indicator (MDI) displays a Battery Discharge Indicator (BDI), a LCD display showing the current hourmeter reading, a system distress LED, and Diagnostic Trouble Codes (DTC) when a functional problem occurs with the machine.

When a problem occurs and a DTC Code displayed:

- A LED wrench icon (1) LED illuminates.
- A three to five digit DTC code will display on the DTC LCD display (2) below the wrench icon.

Note: When more than one DTC exists, each DTC will be displayed on the LCD for three seconds before changing to the next DTC. Once the last active DTC is displayed, the display will recycle indefinitely until the DTCs are corrected. For DTCs and descriptions, refer to Section 6.7.



- | | |
|---|---|
| 1. System Fault LED Indicator (RED LED) | 4. Battery Charge LOW Indicator (YELLOW AREA) |
| 2. Hourmeter/DTC Code Display | 5. Battery Re-Charge Indicator (RED AREA) |
| 3. 100% Battery Charge Indicator (GREEN AREA) | |

Also located on the MDI are Battery Discharge Indicators (BDI) (3, 4, 5). The three green LEDs indicate the level of charge (voltage) remaining in the batteries.

Note: When the battery voltage is low and will need a charge soon, the yellow LED (4) begin to flash.

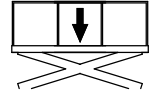
BDIs and the hourmeter display under normal operating conditions. When a DTC exists other than 00x DTCs, the BDI LEDs and hourmeter are not displayed. Additionally, when the platform is elevated and the machine is driving in creep mode, the turtle icon is displayed.

Overload Indicator (LSS)

The Overload Indicator indicates when the platform has been overloaded. An audible alarm will also signal when the platform is overloaded.

Note: If the Overload Indicator is illuminated, further elevation will be prevented. Reduce the weight in the platform to not exceed the rated workload indicated on the capacity decal, then the controls will work again.

Note: When ambient temperatures are below freezing, the LSS will have a reduction in available capacity. This will trigger the LSS before achieving the maximum allowable capacity.

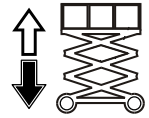


Platform Lift/Lower Switch

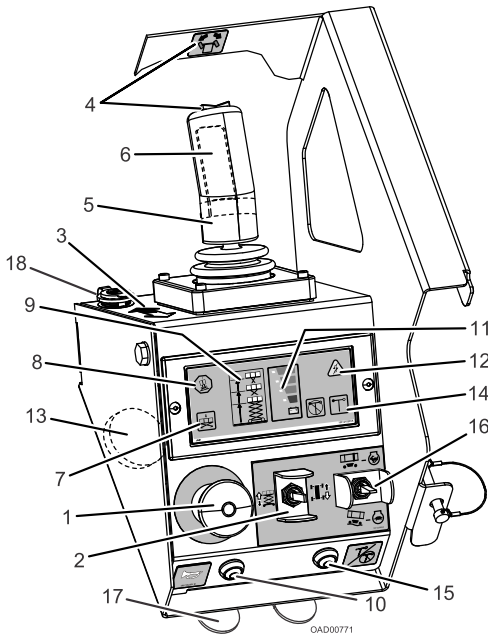
A three position, momentary contact lift control switch provides raising and lowering of the platform from the Ground Control Station.

Note: There will be a brief delay between switch activation and movement of the platform.

When operating platform from the ground controls, activate the Lift/Lower switch to up position and hold to raise platform, or down position and hold to lower an elevated platform. Release to stop all movement.



3.8 PLATFORM CONTROL STATION



- | | |
|---|--|
| 1. Emergency Stop Switch | 11. Battery Charge Indicator |
| 2. Lift/Drive Select Switch | 12. System Fault Indicator |
| 3. Black/White Directional Arrow | 13. Alarm |
| 4. Steer Control Switch and Decal | 14. Indoor/Outdoor Operation Indicator |
| 5. Joystick Controller | 15. Indoor/Outdoor Operation Mode Switch |
| 6. Trigger (Enable) Switch | 16. Drive Speed Select Switch |
| 7. Overload Indicator (LSS) | 17. Mobile Phone Cradle (If Equipped) |
| 8. Tilt Indicator | 18. USB Port (If Equipped) |
| 9. Variable Tilt - Platform Restricted Height Indicator | |
| 10. Horn Button | |

Note: R2632 is rated for INDOOR USE only in the Australia market.

3.8.1 Platform Control Station Functions

Alarm

This alarm mounted on the front of the platform control station will sound for various machine conditions or warnings such as, system ready chirp or if the machine tilt warning is activated.

Arm Guards (If Equipped)

If the machine is equipped with electronic arm guards, the platform will stop lowering at a predetermined height and the machine's beacons will flash at a different rate to warn ground personnel. The machine can continue lowering after a three (3) second delay and re-engaging the lowering function. Once the lowering function is re-engaged an audible alarm will sound. After a three second delay, the platform will continue lowering.

Battery Charge Indicator

The battery charge indicator displays the current charge status of the onboard batteries.

- RED LED flashing = batteries depleted
- RED LED ON solid = batteries low
- RED LED ON and GREEN LEDs ON = batteries FULL charge



Drive/Lift/Steer Joystick Control

Trigger (Enable) Switch - This trigger switch is located on the front of the joystick controller. It acts as an enable and must be depressed before operating the drive, steer, and lift functions. When released, the function in operation will stop.

The speed on all selected functions is proportionally controlled by the distance from the neutral (center) position of the joystick controller.

Note: Once the trigger switch is pressed, the operator has (5) seconds to begin operating a function. After 5 seconds, the trigger switch must be released and pressed again to operate a joystick function.

Note: If the machine is also equipped with a footswitch, depress the footswitch in conjunction with the trigger (enable) switch located on the joystick controller. Power is removed from the platform controls when the footswitch is released.

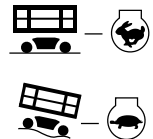
Steer Switch - The steer switch is a thumb-operated switch located at the top of the joystick controller handle. Depressing the switch to the right will steer the wheels to the right. Depressing the switch to the left will steer the wheels to the left.

Joystick Controller - This controls drive and lift.

Drive Speed Select Switch

The two-position speed switch controls high or low range drive speed. Use high speed in unobstructed open, flat, and level work areas. Use low speed in close work areas with obstacles, other machinery or personnel to avoid.

Note: Drive speed automatically reduces to low drive when the platform is raised above the stowed position, regardless of speed switch position.



Emergency Stop Switch

Note: Both the ground and platform emergency stop buttons must be set to ON in order to operate the machine.

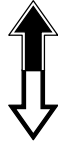
When power is directed to the platform from the ground control station, the platform emergency stop switch is turned on by pulling the switch out (on), and is turned off by pushing the switch in (off). The two-position, red, mushroom-shaped emergency stop switch functions to provide power to the platform control station and also to turn off power to machine functions in the event of an emergency.

NOTICE

Always position emergency stop switch to off position (pushed in) when machine is not in use.

Forward/Reverse/Lift/Lower Direction Arrow

This decal indicates the proper direction to mount the platform control box, with the black arrow pointing to the front of the machine. The black/white arrow also indicates the direction to move the joystick control per the lift/drive selector switch decal for the lift and the drive select functions.



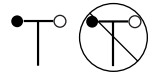
Horn

This push-button switch, when pressed, permits the operator to warn job site personnel when the machine is operating in the area.



Indoor/Outdoor Operation Indicator

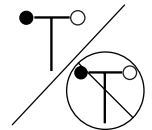
The Indoor (GREEN) indicator and the Outdoor (YELLOW) indicator displays which mode the machine is currently set to operate in.



Note: Machine R2632 is rated for INDOOR USE only in the Australia market.

Indoor/Outdoor Operation Mode Switch

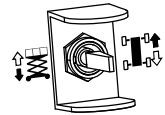
This button will toggle between the indoor/outdoor operation modes.



Note: Machine R2632 is rated for INDOOR USE only in the Australia market.

Lift/Drive Select Switch

Note: When selecting between the lift and drive functions the joystick control must be returned to the neutral position for approximately 1/2 second before the function change is operable.



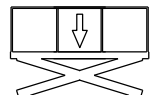
This toggle switch is used to select operation of either the drive or lift function. After selecting a function, the joystick controller must be used in order to activate that function. Only change the function selected, with the joystick in the neutral position. Otherwise, the function selected will not change until the joystick is returned to the neutral position.

Mobile Phone Cradle (If Equipped)

Provides an enclosed area for mobile phones in the platform.

Overload Indicator (LSS)

The Overload Indicator indicates when the platform has been overloaded. An audible alarm will also signal when the platform is overloaded.

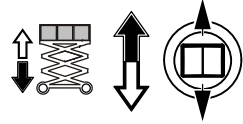


Note: If the Overload Indicator is illuminated, further elevation will be prevented. Reduce the weight in the platform to not exceed the rated workload indicated on the capacity decal, then the controls will work again.

Note: When ambient temperatures are below freezing, the LSS will have a reduction in available capacity. This will trigger the LSS before achieving the maximum allowable capacity.

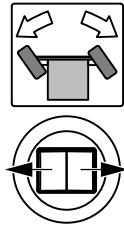
Raising And Lowering Platform

1. If the machine was shut down, place the key selector switch to the platform position.
2. Position both emergency stop switches, to the ON position.
3. Position the lift/drive select switch to lift.
4. Squeeze and hold the trigger switch, and move the joystick back (platform up - white arrow direction) or move the joystick forward (platform down - black arrow direction) and hold until desired elevation is reached. Releasing the trigger switch or moving the joystick back to its center position will stop the function being operated.



Steering

On the platform control station, position the lift/drive select switch to the drive position. To steer the machine, engage trigger switch and the thumb operated steer rocker-switch on the joystick handle. Press to the right for steering right, or to the left for steering left. When released, the switch will return to the center-off position and the wheels will remain in the previously selected position. To return the wheels to the center position, the switch must be activated in the opposite direction until the wheels are centered.



Steering And Traveling

1. Place key selector switch at the ground control station to platform operation.
2. Position emergency stop switches, one at the platform and one at the ground control station to the ON position.

⚠ WARNING

Do not drive with platform raised except on a smooth, firm surface, within the limits of the maximum operating slope, free of obstructions and holes.

To avoid loss of travel control or upset on grades and side slopes, do not drive machine on grades or side slopes exceeding those specified in Section 6.

Before driving, locate the decals with the black/white orientation arrows on the chassis and the platform controls. Move the joystick in the direction of the black or white arrow that matches the color of the arrow on the chassis for the intended direction of travel.

If the tilt indicator warning light/alarm is activated while driving with platform raised, lower platform completely and drive to a smooth, firm surface, within the limits of the maximum operating slope.

System Fault Indicator

When this indicator light is flashing, a system fault has occurred, possibly stopping machine operation.

Check the MDI Indicator (if equipped) on the Ground Control Station to see if a DTC is displayed.

If the code cannot be cleared by the operator, the machine will require service by a qualified JLG mechanic.



Tilt Indicator Warning Light and Alarm

A red warning light on the control panel illuminates and an audible alarm sounds when the chassis is at or beyond the tilt cutout settings.



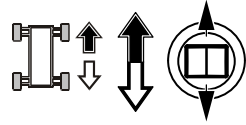
WARNING

If the tilt indicator warning light/alarm is activated when platform is raised, lower platform and drive to a smooth, firm surface, within the limits of the maximum operating slope.

Traveling Forward And Reverse

Position the platform lift/drive select switch to drive/steer position. Squeeze the trigger switch on front of the joystick and move the joystick forward to drive forward, or backward to drive in reverse.

The drive system is proportional: for additional drive speed, push the joystick further from the neutral position in the direction of travel. Releasing the trigger switch or returning the joystick to center will stop machine movement.



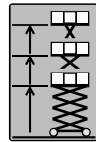
Note: To ensure proper operation of the desired platform function, move the joystick in the direction of the black or white arrow that matches the color of the arrow on the chassis for the intended direction of travel.

USB Port (If Equipped)

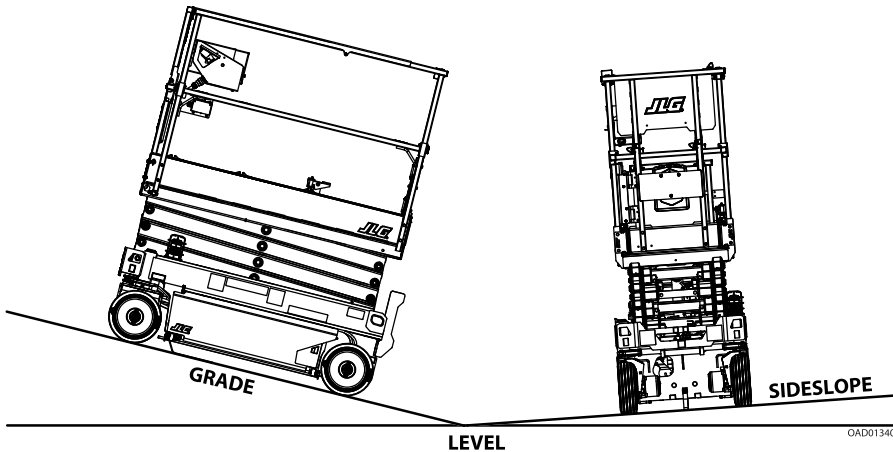
Provides a USB port in the platform.

Variable Tilt - Platform Restricted Height Indicator

This indicator shows the maximum allowable platform elevation when the machine is within the limits of the variable tilt envelope. When activated, allowable platform height will be shown in one of three height ranges, depending on the amount of tilt detected by the machine's tilt sensor. See tables in Section 2 for tilt angle - platform operating height restrictions.



3.9 GRADE AND SIDE SLOPE



OAD01340

3.10 PLATFORM EXTENSION

This machine is equipped with an extension deck that allows the operator better access to certain work areas. The deck extension adds length to the front of the platform.

⚠ WARNING

For maximum capacity of the deck extension see Machine Specifications section or refer to the capacity placard on the platform billboard.

⚠ CAUTION

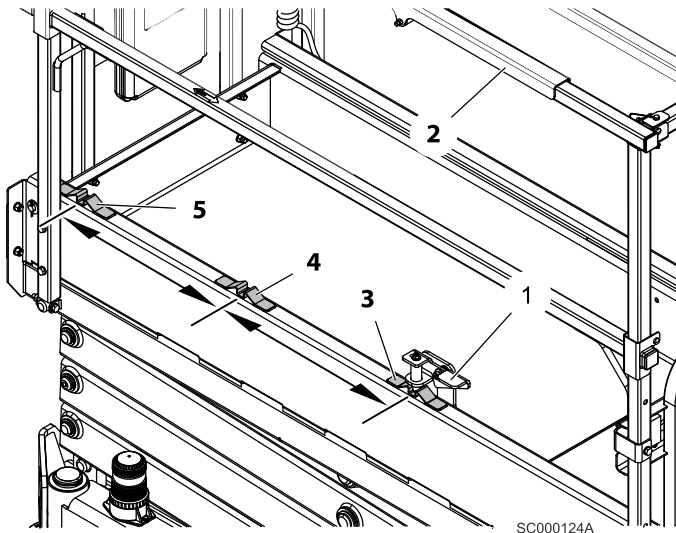
Do not lower without completely retracting the platform extension.

To extend the deck:

1. Press foot down on locking mechanism lever (1) until it clears the rear platform extension lock (3).
2. While holding the lever, grasp the top handrails (2) and push forward until the locking mechanism pin locks into the forward platform extension lock (4 or 5).

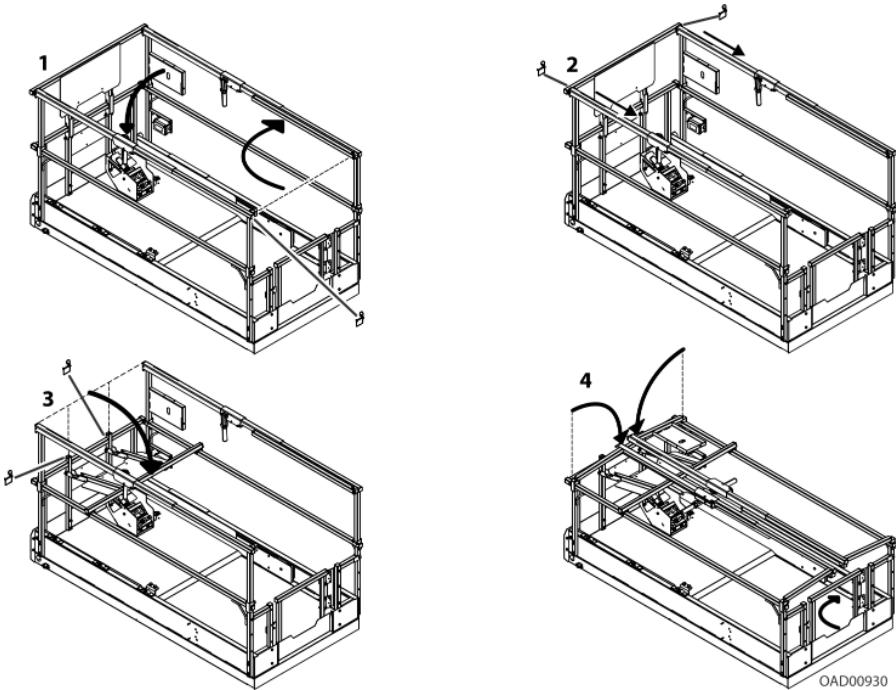
To retract the deck:

1. Press foot down on locking mechanism lever (1) until it clears the forward platform extension lock (4 or 5).
2. Grasp the top handrails (2) and pull back until it the locking mechanism pin locks into the rear platform extension lock (3).



3.11 PLATFORM RAILS FOLD-DOWN PROCEDURE (IF EQUIPPED)

3.11.1 Platform with Rail-in-Rail Extension Deck



⚠ WARNING

Only fold down the rails when the machine is in the stowed (platform fully lowered) position. Do not raise the platform with the rails folded down. The rails must be in the upright position and properly pinned when raising the platform.

1. Remove the platform control station from its bracket and place on the platform floor. Remove pin from the rear gate top rail, then fold in against the right side rail.
2. Remove the top rail pins at the front of the machine. Slide the deck extension top side rails towards the rear of the machine.

Note: Place pins in the lower holes of the extension side top rails before folding main platform side rails down.

3. Remove the pins at the front mid rails, then fold down the front panel towards the platform floor.

4. Fully open the swing gate and hold. Fold down the right side rail, then fold down the left side rail.

Note: For the 2632, reverse steps 3 and 4. Open and hold the swing gate, then fold down right and left rails, then fold down the front panel.

To return the rails to the upright position, unfold the rails in the reverse sequence in which they were folded. Firmly pull the rails into position and secure the pins onto the rails.

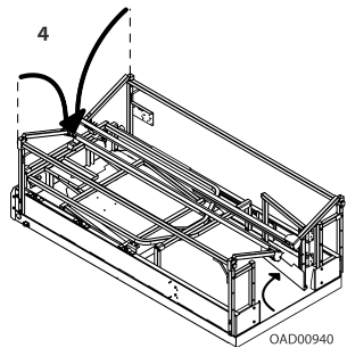
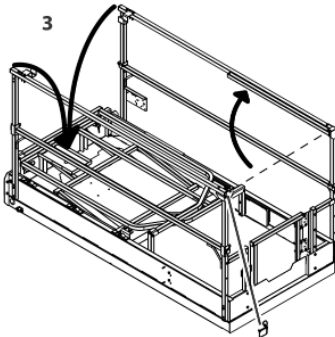
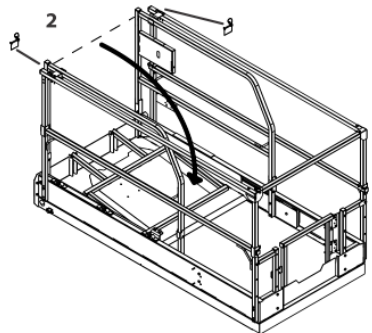
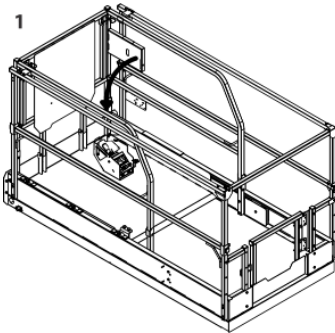
⚠ WARNING

After the rails have been folded down, use extreme caution when exiting and entering the platform. Enter and exit platform only at the gate area and ladder provided.

⚠ WARNING

If driving machine with the platform control station from ground, do not hang the control box on any part of the machine while driving. Hold the control box and keep at least 3 ft (1 m) distance from machine.

3.11.2 Platform with Dual Rails Extension Deck



WARNING

Only fold down the rails when the machine is in the stowed (platform fully lowered) position. Do not raise the platform with the rails folded down. The rails must be in the upright position and properly pinned when raising the platform.

1. Remove the platform control box and place it on the platform deck.
2. Remove two pins at the top front rails, then fold down the front rail panel to the platform floor.
3. Fold down inner extension rails to the platform floor. Remove rail pin at top rear rail and fold in against the right side top rail.
4. Fold down outer platform rails towards platform floor.

To raise the rails back to the upright position, unfold the rails in the reverse sequence they were folded and replace the rail pins into the rails.

Note: When setting platform side rails back to upright position be certain the extension platform rail guide is interlocked with the main platform rail once both rails are completely upright.

WARNING

After the rails have been folded down, use extreme caution when exiting and entering the platform. Enter and exit platform only at the gate area and ladder provided.

WARNING

If driving machine with the platform control station from ground, do not hang the control box on any part of the machine while driving. Hold the control box and keep at least 3 ft (1 m) distance from machine.

3.12 PLATFORM MANUAL DESCENT CONTROL

The platform manual descent control is used in the event of total power failure to lower the platform using gravity. The manual descent control T-handle is located on the left rear of the machine, just below the platform ladder. Look for the instruction decal located beside the release handle.

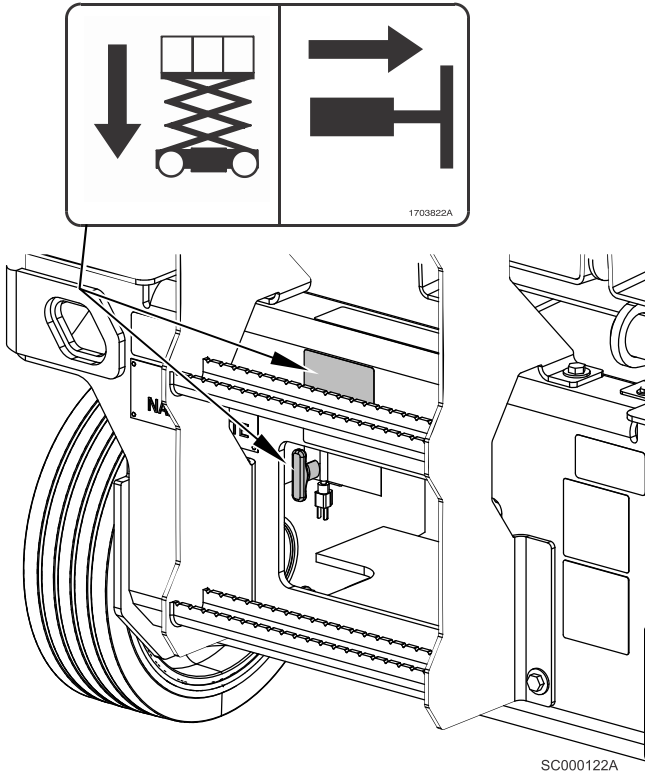
The lowering procedure is as follows:

1. Locate the manual descent control red T-handle.

⚠ WARNING

Keep hands and arms out of the path of the scissor arms and platform while lowering.

2. Grasp the T-handle and slowly pull out to lower the scissor arms/platform. When the platform is lowered to desired level, allow the T-handle to return to its closed position.



3.13 PARKING AND STOWING MACHINE

1. Drive the machine to a well-protected and well-ventilated area.

2. Ensure the platform is fully lowered.

NOTICE

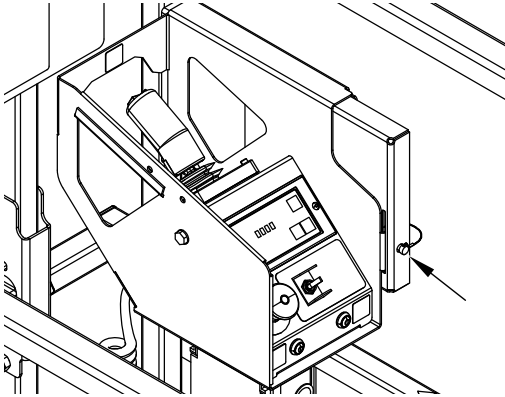
When the machine is shut down for overnight parking or battery charging, the emergency stop and power select switches must be positioned to off to prevent draining the batteries.

3. At the ground control station, turn the platform - ground selector key switch to OFF and remove the key to disable the machine and prevent unauthorized use.

Note: For added protection, the platform control station can be secured to its mounting plate.

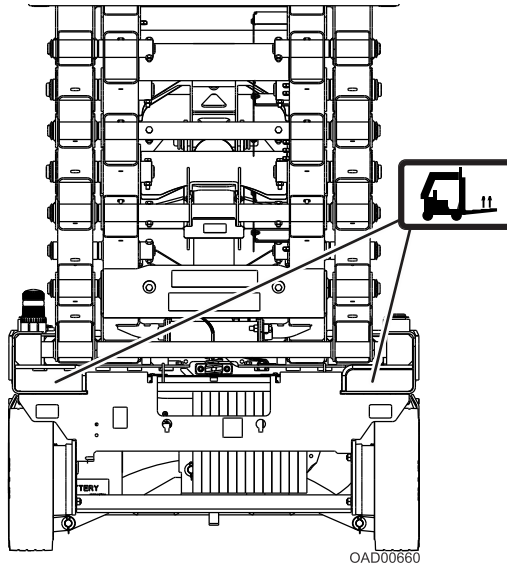
Additionally, the side compartment doors can be secured by placing a pad-lock through the holes provided just below the door latch on each door.

4. At the ground control station, depress emergency stop switch to the off position.
5. If necessary, cover the platform control box, instruction placards, caution and warning decals so that they will be protected from hostile environment.
6. Chock at least two wheels when parking the machine for an extended period of time.

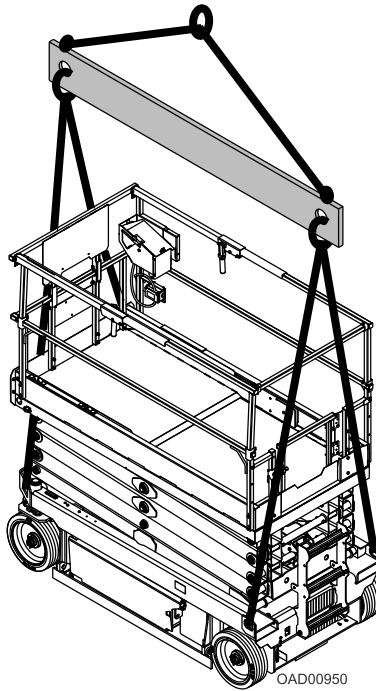


To prevent unauthorized removal, the platform control station can be secured to its mount by replacing the lock pin located on its mounting tab with a keyed or combination lock.

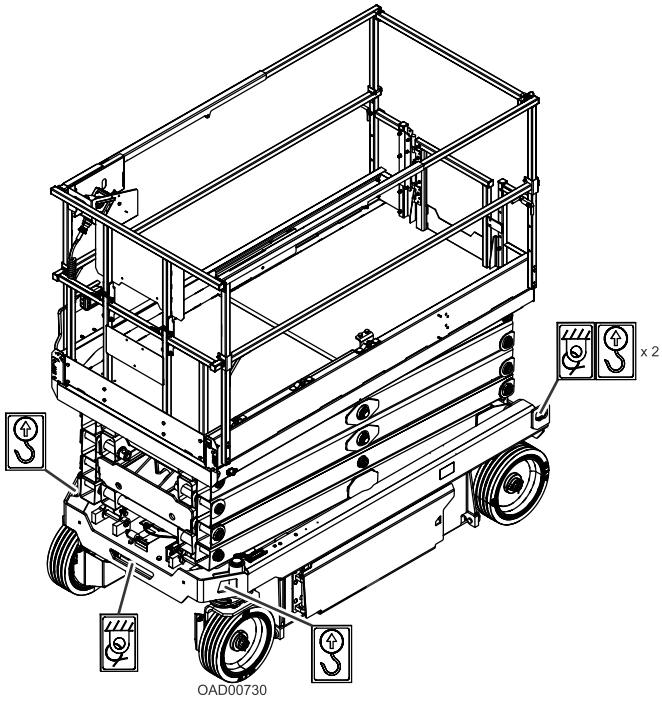
3.14 MACHINE LIFTING AND TIE DOWN



The machine may be lifted using a forklift truck. Lift only using the built-in forklift pockets at the rear of the machine and only with the platform in the stowed position. First adjust the width of the forklift truck lifting tines to fit the machine forklift pockets. Then slide the tines into the forklift pockets and carefully lift machine.



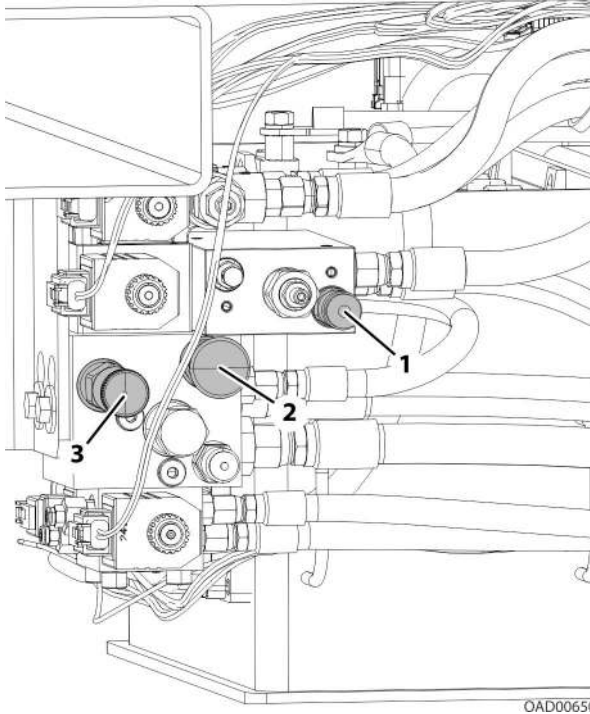
The machine may also be lifted using a spreader bar and four equal length straps or chains capable of supporting the full gross weight of the machine. Lift only using the lifting lugs provided at the four corners of the machine. When transporting the machine, fully lower the platform (stowed position) and secure the machine to the truck or trailer deck. There are two tie-down/lift lugs at the rear of the machine, and two tie-downs and one lifting lug at the front of the machine.



3.15 TOWING

It is not recommended to tow this machine except in the event of an emergency such as a machine malfunction or total machine power failure.

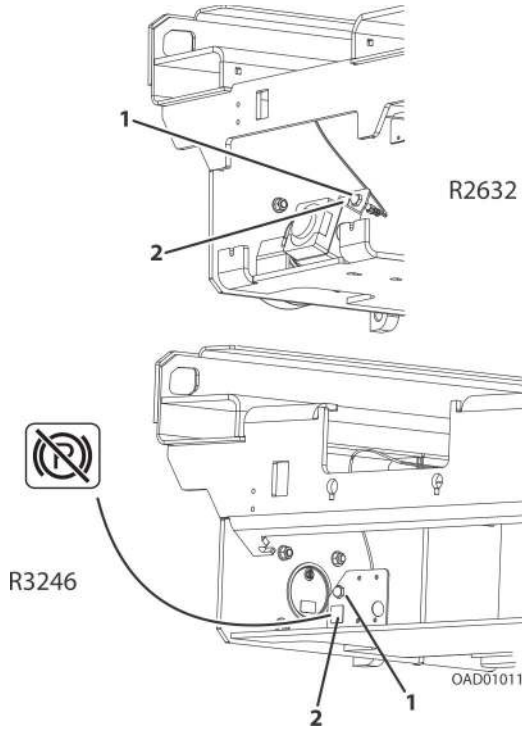
3.15.1 Hydraulic Brake Release



1. Chock wheels or secure machine with tow vehicle.
2. Press in the Emergency Stop switch at the ground control console to turn off power.
3. Open the right side compartment door and locate the main hydraulic control valve.
4. Perform the following to set the drive motor control valve to tow mode:
 1. On the drive control valve locate the tow mode needle valve knob (1). Screw out the valve until it stops.
 2. On the main valve body, to release the brakes, push the black brake override button (2) in. A detent will hold the valve in place.
 3. Pump the red knob (3) until pressure builds, approximately 5 to 10 strokes. The brakes should now be released.
 4. After towing is complete, chock the wheels. Release the black brake override button (2) and screw the tow mode needle valve knob (1) all the way in to reset the hydraulic brake.

Note: If machine is disabled to a point where the hydraulic system cannot be operated, the steer circuit will also not be operational. Then the machine will only track in the direction the front wheels are currently positioned.

3.15.2 Push Button Brake Release (AUS Market Only)



1. Yellow Push Button

2. Decal

Note: Some components removed for illustrative purposes.

1. Chock wheels or secure machine with tow vehicle.
2. Pull out emergency stop switch and position the keyswitch to ground mode.
3. Press and hold the yellow button at the rear of the machine for one second to release the brakes. The alarm will sound, then the pump motor will run for several seconds to release the brakes.
4. To reset the brakes, press the yellow button again.

3.16 SAFETY DECAL LOCATIONS

Note: Placement of platform billboard decals may differ based upon type of platform rails (telescope or dual) and market.

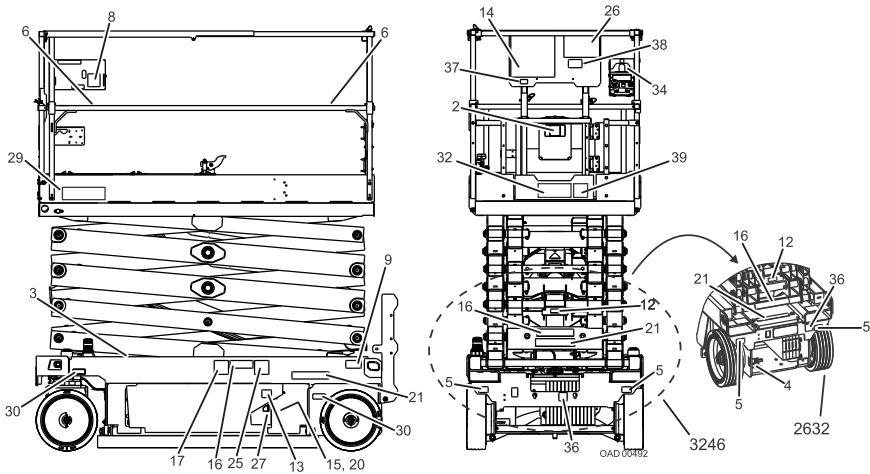


Figure 5. Decal Installation - 1 of 2

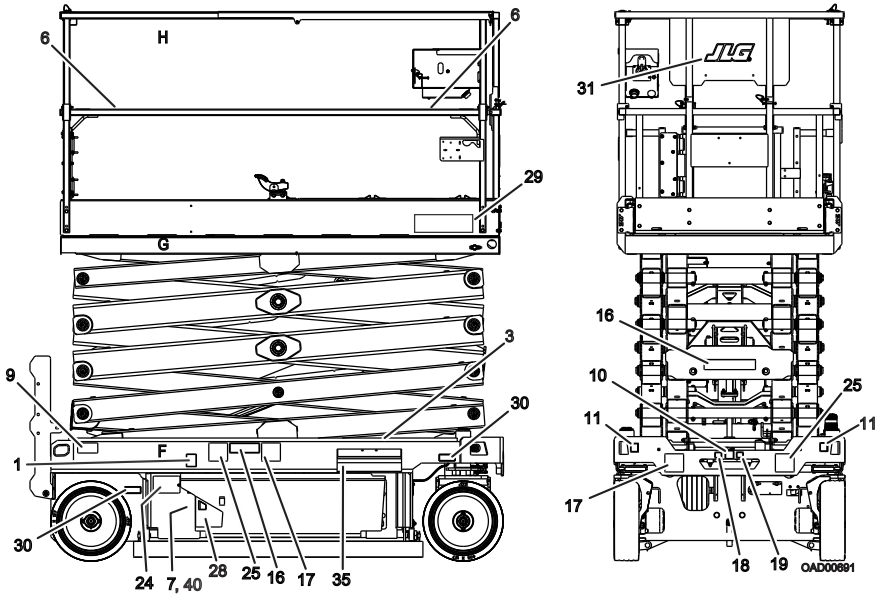


Figure 6. Decal Installation - 2 of 2

3.17 DECALS

ITEM	ENGLISH (1001238014-D)	KOREAN (1001238015-D)	CHINESE (1001238016-E)	SPA/POR (1001238017-C)	ENG/SPA (1001238018-C)	ENG/FRE (1001238019-C)	CE (1001238020-C)	AUS/Japan (1001238021-C)
1	1701504	1701504	1701504	1701504	1701504	1701504	1701504	1701504
2	1701640	1701640	1701640	1701640	1701640	1701640	1701640	1701640
3	1703819	1703819	1703819	1703819	1703819	1703819	1703819	1703819
4	1001248126	1001248126	1001248126	1001248126	1001248126	1001248126	1001248126	1001248126
5	1704016	1704016	1704016	1704016	1704016	1704016	1704016	1704016
6	1704277	1704277	1704277	1704277	1704277	1704277	1704277	1704277
7	1704412	1704412	1704412	1704412	1704412	1704412	1704412	1704412
8	1001132359	1001132359	1001132359	1001132359	1001132359	1001132359	1001132359	1001132359
9	1001162864	1001162864	1001162864	1001162864	1001162864	1001162864	1001162864	1001162864
10	1001212290	1001212290	1001212290	1001212290	1001212290	1001212290	1001212290	1001212290
11	1001212291	1001212291	1001212291	1001212291	1001212291	1001212291	1001212291	1001212291
12	1001237899	1001237899	1001237899	1001237899	1001237899	1001237899	1001237899	1001237899
13	1702155	1702155	1702155	1702155	1702155	1702155	1702155	1702155
14	1703816	1001162115	1705195	1704699	1704691	1704684	-	-
15	1001146794	1001146794	1001146794	1001146794	1001146794	1001146794	1001146795	1001146794
16	1001211777	1001215751	1001215752	1001216650	1705316	1705311	1705673	1705673
17	1001211779	1001211779	1001211779	1001215748 (SPA)	1001211779	1001211779	1705671 (5)	1705671 (5)
18	1001212292	1001212292	1001212292	1001212292	1001212292	1001212292	1001212292	1001212292
19	1001212293	1001212293	1001212293	1001212293	1001212293	1001212293	1001212293	1001212293

Machine Controls, Indicators, and Operation

ITEM	ENGLISH (1001238014-D)	KOREAN (1001238015-D)	CHINESE (1001238016-E)	SPA/POR (1001238017-C)	ENG/SPA (1001238018-C)	ENG/FRE (1001238019-C)	CE (1001238020-C)	AUS/Japan (1001238021-C)
20	1001237538	1001237538	1001237538	1001237538	1001237538	1001237538	1001237538	1001237538
21	1703813	1707022	1704344	1704341	1704339	1704340	1705670	1705670
22	-	-	-	-	-	-	-	-
23	-	-	-	-	-	-	-	-
24	1001223055	1001224048	1001224051	1001224052	1001224049	1001223971	-	-
25	--	1001215750	1001215747	1001216648	1001215748	1001215749	-	-
26	1001237115	1001237115	1001237115	1001237115	1001237115	1001237115	1001237115	1001237115
27	1001255105	1001255105	1001255105	1001255105	1001255105	1001255105	1001255105	1001255105
28	1001255104	1001255104	1001255104	1001255104	1001255104	1001255104	1001255104	1001255104
29	1001257174 (R2632) 1001257175 (R3246)	1001257174 (R2632) 1001257175 (R3246)	1001257174 (R2632) 1001257175 (R3246)	1001257174 (R2632) 1001257175 (R3246)	1001257174 (R2632) 1001257175 (R3246)	1001257174 (R2632) 1001257175 (R3246)	1001257174 (R2632) 1001257175 (R3246)	1001257174 (R2632) 1001257175 (R3246)
30	1706312	1706312	1706312	1706312	1706312	1706312	1706312	1706312
31	1705754	1705754	1705754	1705754	1705754	1705754	1705754	1705754
32	1001256676	1001256676	1001256676	1001256676	1001256676	1001256676	1001256676	1001256676
33	-	-	-	-	-	-	-	-
34	1001218285	1001218285	1001218285	1001218285	1001218285	1001218285	1001218285	1001218285
35	1001209682	1001209682	1001209682	1001209682	1001209682	1001209682	1001209682	1001209682
36	-	-	-	-	-	-	1001173703 (Russia/ CIS Only)	-
37	1001228370	-	-	-	-	1001228370	-	-

ITEM	ENGLISH (1001238014-D)	KOREAN (1001238015-D)	CHINESE (1001238016-E)	SPA/POR (1001238017-C)	ENG/SPA (1001238018-C)	ENG/FRE (1001238019-C)	CE (1001238020-C)	AUS/Japan (1001238021-C)
38	1001231801	-	-	-	-	1001231801	-	-
39	-	-	1001244298	-	-	-	-	-
40	1001131270	-	-	-	-	1001131270	-	-

This Page is intentionally left blank

SECTION 4

Emergency Procedures

4.1 GENERAL

This section explains the steps to be taken in case of an emergency situation during operation.

4.2 INCIDENT NOTIFICATION

JLG Industries, Inc. must be notified immediately of any incident involving a JLG product. Even if no injury or property damage is evident, JLG must be contacted by telephone and provided with all necessary details.

- USA: 877-JLG-SAFE (554-7233)
- EUROPE: (32) 0 89 84 82 20
- AUSTRALIA: (61) 2 65 811111
- E-mail: productsafety@jlg.com

Failure to notify the manufacturer of an incident involving a JLG Industries product within 48 hours of such an occurrence may void any warranty consideration on that particular machine.

NOTICE

Following any incident, thoroughly inspect the machine. Do not elevate the platform until it is certain that all damage has been repaired and that all controls are operating correctly. Test all functions first from the ground control station then from the platform control console.

4.3 EMERGENCY OPERATION

4.3.1 Use of Ground Controls

NOTICE

Know how to use the ground controls in an emergency situation.

Ground personnel must be thoroughly familiar with the machine operating characteristics and the ground control functions. Training should include operation of the machine, review and understanding of this section and hands-on operation of the controls in simulated emergencies.

4.3.2 Operator Unable to Control Machine

If the platform operator is unable to operate or control the machine:

1. Other personnel should operate the machine from ground controls only as required.
2. Only qualified personnel on the platform may use the platform controls. **DO NOT CONTINUE OPERATION IF CONTROLS DO NOT FUNCTION NORMALLY.**
3. Rescue equipment can be used to remove the platform occupant(s). Cranes and forklifts can be used to stabilize motion of the machine.

4.3.3 Platform Caught Overhead

If the platform becomes jammed or snagged in overhead structures or equipment, do the following:

1. Shut off the machine.
2. Rescue all people in the platform before freeing the machine. Personnel must be out of the platform before operating any controls on the machine.
3. Use cranes, forklifts or other equipment to stabilize motion of the machine to prevent a tip over as required.
4. From the ground controls, carefully free the platform from the object.
5. Once clear, restart the machine and return the platform to a safe position.
6. Inspect the machine for damage. If the machine is damaged or does not operate properly, turn off the machine immediately. Report the problem to the proper maintenance personnel. Do not operate the machine until it is declared safe for operation.

4.3.4 Righting of Tipped Machine

A fork truck of suitable capacity or equivalent equipment should be placed under the elevated side of the chassis, with a crane or other suitable lifting equipment used to lift the platform while the chassis is lowered by the forklift or other equipment.

4.4 PLATFORM MANUAL DESCENT CONTROL

The platform manual descent control is used in the event of total power failure to lower the platform using gravity. The manual descent control T-handle is located on the left rear of the machine, just below the platform ladder. Look for the instruction decal located beside the release handle.

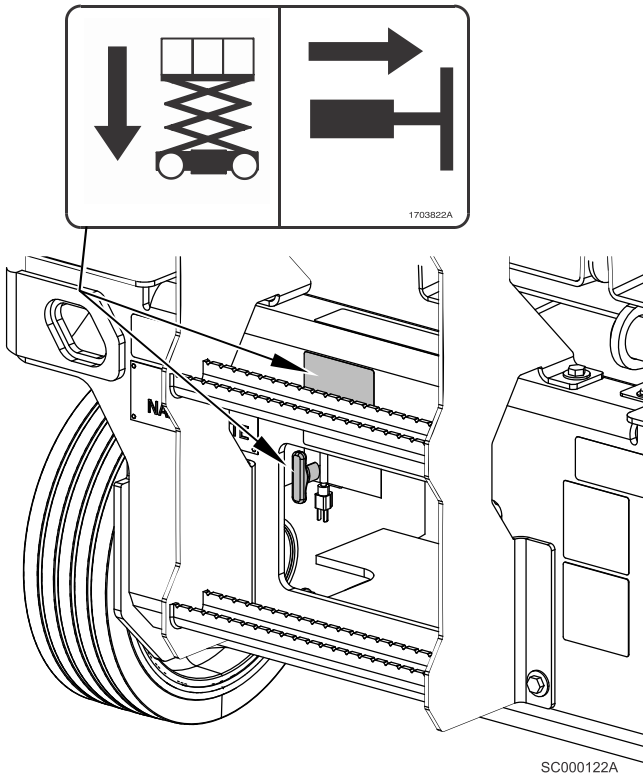
The lowering procedure is as follows:

1. Locate the manual descent control red T-handle.

⚠ WARNING

Keep hands and arms out of the path of the scissor arms and platform while lowering.

2. Grasp the T-handle and slowly pull out to lower the scissor arms/platform. When the platform is lowered to desired level, allow the T-handle to return to its closed position.



This Page is intentionally left blank

SECTION 5 Accessories

5.1 AVAILABLE ACCESSORIES

Table 6. R2632, R3246 - Available Accessories

ACCESSORY	Market							
	ANSI (USA Only)	ANSI	CSA	CE	AUS	Japan	China	Korea
DC/AC Power Inverter	✓							
Magnetic Gate Latch	✓	✓	✓	✓	✓	✓	✓	✓
Anti-Vandalism Package	✓	✓	✓	✓	✓	✓	✓	✓
Rail-Mounted Platform Extension Handles	✓	✓	✓	✓	✓	✓	✓	✓
Pipe Racks	✓	✓	✓	✓	✓	✓	✓	✓
Footswitch						✓		✓
CleanGuard	✓	✓	✓	✓	✓	✓	✓	✓
JLG Mobile Control®	✓	✓	✓					
Heavy Duty Tool Tray	✓	✓	✓	✓	✓	✓	✓	✓
SkySense®	✓	✓	✓	✓	✓	✓	✓	✓

Table 7. R2632, R3246 - Options/Accessories Relationship Table

ACCESSORY	COMPATIBLE WITH (Note 1)	INCOMPATIBLE WITH
DC/AC Power Inverter	All	None
Magnetic Gate Latch	All	None
Anti-Vandalism Package	All	None
Rail-Mounted Platform Extension Handles	Pipe Racks, Anti-Vandalism Package, Rail Padding, Inverter, Footswitch, Magnetic Gate Latch	Dual Rails
Pipe Racks	All	Dual Rails (2632 only)

Table 7. R2632, R3246 - Options/Accessories Relationship Table (continued)

ACCESSORY	COMPATIBLE WITH (Note 1)	INCOMPATIBLE WITH
Footswitch	All	None
CleanGuard	All	None
JLG Mobile Control®	All	None
SkySense®	Inverter, Magnetic Gate Latch, Anti-Vandalism Package, Platform Extension Handles, Footswitch	Pipe Racks

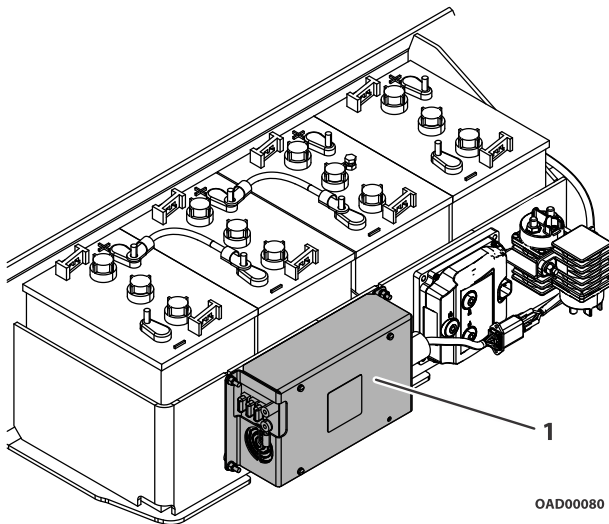
Table 7. R2632, R3246 - Options/Accessories Relationship Table (continued)

ACCESSORY	COMPATIBLE WITH (Note 1)	INCOMPATIBLE WITH
Heavy Duty Tool Tray	All	Dual Rails, SkySense
Note 1: Any accessory not listed under "COMPATIBLE WITH" is assumed to be incompatible.		

5.2 DC/AC POWER INVERTER

The DC to AC Power Inverter converts DC voltage from the onboard system batteries to AC voltage for use at the platform AC output receptacle.

The inverter module is mounted on the inside of the battery compartment door.



1. Inverter Module

5.2.1 Specifications

DESCRIPTION	SPECIFICATION
Electrical System Voltage (DC)	24V
Power Inverter:	Power Bright
DC Input:	DC Input Voltage: 20 to 30 VDC Operating Temperature: -4° F (-20° C) to 113° F (+45° C)

Accessories

DESCRIPTION	SPECIFICATION
AC Output:	Output Power (Continuous): 900W Output Power (Surge): 1800W Output Power (AC): 7.5A Output Voltage (AC): 117V+/- 10% Output Frequency: 60 Hz Type: Modified Sine Wave
Protection:	Output Reverse DC Polarity: 3 X 25A Replaceable Fuse

5.2.2 Safety Precautions

DANGER

This accessory may cause shock or electrocution if used improperly. Treat inverter output the same as commercial ac power.

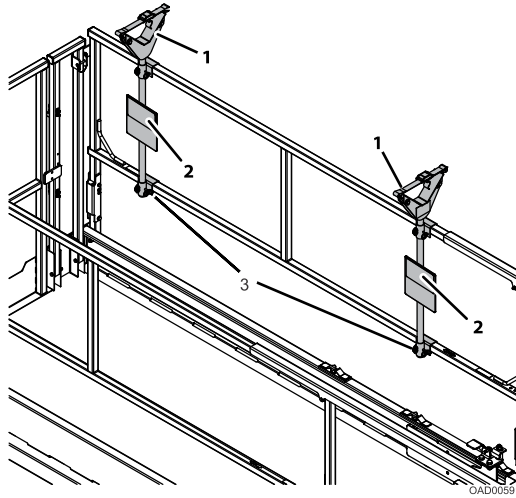
- This inverter will only operate from a 24V power source. Do not attempt to connect the inverter to any other power source, including any AC power source.
- Do not allow water or other liquids to contact the inverter.
- Do not use appliances with damaged or wet cords.
- Route appliance cords and extension cords to prevent accidental pinching, crushing, abrading, and tripping hazards.
- Do not use the inverter near flammable materials or in any locations that may accumulate flammable fumes or gases. This is an electrical device that can briefly spark when electrical connections are made or broken.

5.2.3 Operation

1. Set the inverter ON/OFF switch to the ON position at the ground control station.
2. Only plug in tools or appliances rated within the maximum output wattage at the platform AC receptacle mounted on the platform.

5.3 PIPE RACKS

Pipe Racks store pipe or conduit inside the platform in order to prevent rail damage and optimize platform utility. The accessory consists of two racks attached to the lower platform handrail with adjustable straps that secure the load in place.



1. Pipe Racks (Working Position)
2. Capacity Decals

3. Work/Stow Locking Pins

5.3.1 Safety Precautions

⚠ WARNING

This accessory affects overall platform capacity. Refer to capacity decals and adjust accordingly. Weight in racks plus weight in platform must not exceed rated capacity.

NOTICE

Retract platform extension before attaching pipe racks and loading material.

NOTICE

Maximum weight in racks is 45 kg (100 lb) evenly distributed between racks. Max length is 6 m (20 ft). Max circumference of material is 180 mm per pipe.

- Do not exit platform over rails or stand on rails.
- Do not drive the machine without material secured.
- Use this accessory on approved models only.
- Return racks to the stowed position when not in use.

5.3.2 Preparation and Inspection

- Ensure both racks are mounted and securely fastened to inside of platform rails.
- Check for missing or damaged components. Replace if necessary.

5.3.3 Operation

1. To prepare racks for loading, remove locking pins, rotate each rack 90 degrees from stowed to working position, then secure with locking pins.
2. Place material onto racks with weight evenly distributed between both racks. Do not exceed the rated capacity stated on the decal.
3. Route the tie-down straps at each end across loaded material and tighten.
4. To remove material, loosen and remove tie-down straps, then carefully remove material from racks.

Note: Reinstall tie-down straps across any remaining material before continuing machine operations.

5. When not in use, remove locking pins, rotate racks 90 degrees to the stowed position, then secure locking pins.

5.4 ANTI-VANDALISM PACKAGE

The Anti-Vandalism Package consists of two lockable covers for the Platform and Ground Control Stations that prevent unauthorized use of the machine. Locks are not provided with this kit.

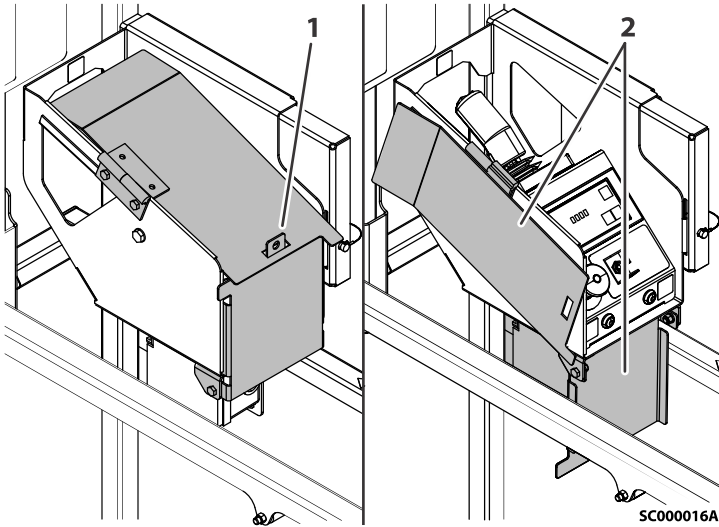


Figure 7. Platform Control Station

1. Lock Position (Covers Closed)

2. Covers Open

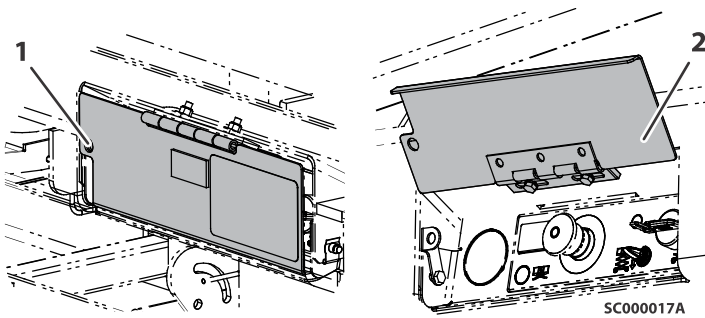
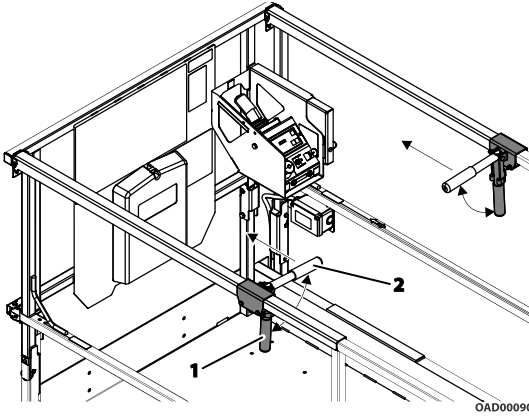


Figure 8. Ground Control Station

1. Lock Position (Cover Closed)

2. Cover Open

5.5 PLATFORM EXTENSION HANDLES



1. Extension Handle in the Stowed Position

2. Extension Handle in the Extension Position

The Platform Extension Handles are mounted to the top rails of the extension platform at the roller tabs. When rotated up 90°, the handles provide the operator an optional grip to push the extension platform out from its stowed position.

5.5.1 Operation

1. Swing both extension handles up 90° to the extend position.
2. While standing on the main platform, release the extension platform lock mechanism with one foot.
3. Grasp both handles and push platform extension out until locked in either of the two other locked extension positions.

5.6 FOOTSWITCH

The Footswitch serves as another enable switch in the function control circuit. It must be depressed in sequence with the platform control joystick trigger switch to enable operation of machine functions when using the platform controls. Power is removed from the platform controls when the footswitch is released.

Note: This accessory is only available in Japanese and Korean markets.

5.6.1 Operation

To operate a function, engage the footswitch and joystick trigger in any sequence before operating a function.

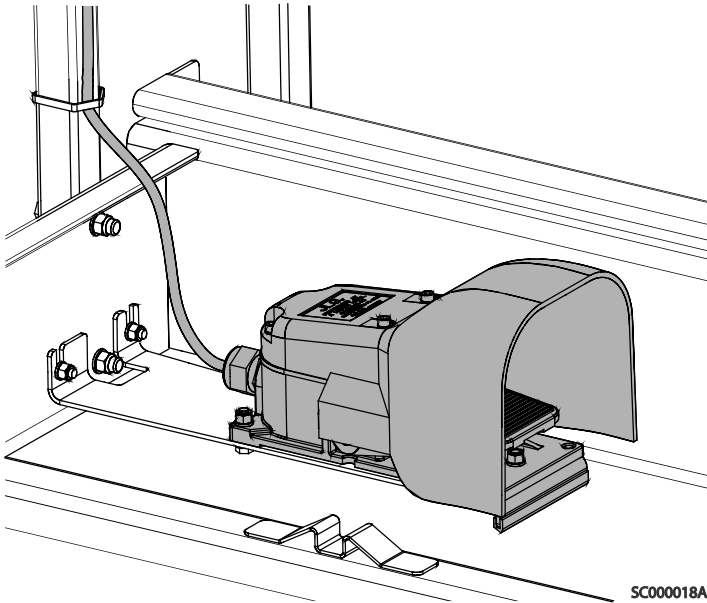


Figure 9. Footswitch Assembly

5.7 MAGNETIC GATE LATCH

The Magnetic Gate Latch ensures the platform gate latches securely when closed.

5.7.1 Operation

Grasp handle and swing gate open.

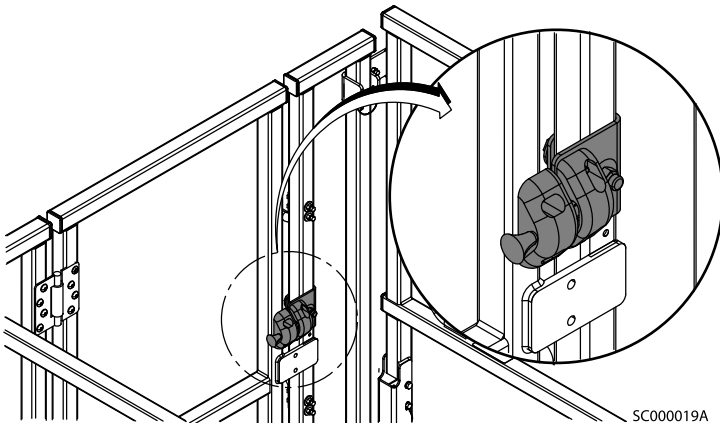


Figure 10. Magnetic Gate Latch Assembly

5.8 JLG MOBILE CONTROL®

The JLG Mobile Control application allows machine operators to drive remotely from a Bluetooth® equipped hand-held mobile device.

Prior to operation, the operator must scan the QR code on the machine with a mobile device equipped with the JLG Mobile Control application. This pairs the Mobile Control module on the machine with the mobile device to allow remote operation.

Note: The Bluetooth word mark and logos are registered trademarks owned by Bluetooth SIG, Inc. and any use of such marks by JLG is under license. Other trademarks and trade names are those of their respective owners.

5.8.1 Download

Visit the Apple Store®, Google Play®, or <https://www.JLG.com/mobilecontrol> in order to download the JLG Mobile Control application.



5.8.2 Operation

Download, read, and understand the JLG Mobile Control Supplement Manual from <https://www.JLG.com/mobilecontrol> prior to using the JLG Mobile Control.

⚠ WARNING

Never drive the machine using JLG Mobile Control while standing in the platform, or without clear line-of-sight between the machine and its travel path, as serious injury could occur to operator or bystander.

5.8.3 Document Resources

Access to application related documentation.

1. Select Settings (a.) from the Home Screen

2. Select either:
 - b. JLG Mobile Control Supplement manual
 - c. Legal Statements (FCC, ISED)
 - d. Regulatory Statements (EULAs, DoC)



5.9 SKYSENSE™

5.9.1 General Information

⚠ WARNING

SkySense is not intended to replace or reduce the need for the operator to be aware of the environment around the machine. Hazards that will cause serious injury or death may not be prevented or reduced by SkySense. The operator must always look in the direction of travel, avoid power lines, avoid obstacles that could strike the machine or persons in the platform, and follow all instructions on machine placards and in this manual.

The operator must not rely on SkySense as a substitute for following the instructions and warnings on machine placards and in this manual.

NOTICE

Read and understand these instructions in their entirety before operating the machine.

NOTICE

SkySense is intended to assist the operator. SkySense may not detect certain objects depending on shape, type of material, or orientation of the object to the sensors. It is the operator's responsibility to be aware of their surroundings at all times.

Note: SkySense is not active when operating the machine from the ground controls.

5.9.2 Preparation and Inspection

Pre-Operation Inspection:

1. Inspect each of the SkySense tubes for dents, cracks, or other damage.
2. Inspect each Skysense sensor for any damage to the housing or sensor.

To test the system:

1. Ensure there are no obstructions within 10 feet around or above the platform and the machine is on a smooth, firm surface within the limits of the maximum operating slope.
2. From the platform control console, lift and lower the platform.
3. Place a hand or object 6" to 12" above one of the sensors, then lift up the platform. Platform movement should stop, the LED indicator should be red, and the alarm should sound. If the alarm is muted, the mute button light should be red.
4. Release the joystick and enable switch.
5. Place a hand or object 6" to 12" above one of the sensors. Press the override button on the notification unit and lift the platform. The platform should lift, the LED indicator should be red, and the alarm should sound. If the alarm is muted, the mute button light should be red.
6. Remove hand or object from the sensor zone, then release the joystick and enable switch. Lower the platform to stowed.
7. Lift the platform with no hand or object above the sensor. The platform should lift without interruption.
8. Lower the platform to stowed.

5.9.3 Operation

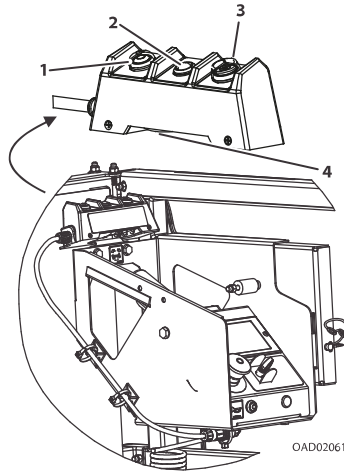
SkySense slows a machine's drive speed to elevated drive speed when it is a certain distance away from an object, known as the "warning zone." If the machine continues to approach the object and moves into the "stop zone," SkySense stops all machine functions.

For proportional functions that are activated by the joystick, the size of the warning zone varies based on the amount of joystick activation. The stop zone always activates at the same distance from the object regardless of the joystick's position.

SkySense is active during the following functions:

- Lift Up
- Drive Forward
- Drive Reverse

5.9.4 Notification Assembly



1. Override Button
2. Bi-Color LED
3. Indicator Speaker OFF
4. Indicator Speaker (Underneath Unit)

5.9.5 LED Indicator

A bi color LED indicator on the platform control box signals SkySense activity.

- **No LED:** Normal operation.
- **LED Flashing Yellow:** Machine is in SkySense warning zone and will reduce to elevated drive height speed. Flash frequency correlates to proximity of the object.

- **LED Red:** Machine is in SkySense stop zone and all machine functions will cease.
- **LED Flashing Red:** SkySense sensor is obstructed or damaged. Obstructions must be removed and proper function verified. Damaged sensors must be replaced.

5.9.6 SkySense Alarm

Activation of SkySense is also signaled by an audible alarm that indicates SkySense activity when reaching the warning or stop zones.

In the warning zone, the audible alarm will pulse and increase in frequency as the machine moves closer to the object. In the stop zone, the alarm will sound a continuous tone.

Additionally, when the machine is in the stop zone, the platform control panel audible alarm will sound, indicating activation of the Soft Touch system. Reset the system by releasing the trigger switch.

Audible SkySense alarms can be muted, although LEDs will continue to light.

5.9.7 Override Button

The yellow override button allows operators to bypass normal SkySense operation in order to move closer to an object within the stop zone.

When the operator overrides SkySense via the override button to get closer to a work surface, the machine will maintain creep speed and flash the appropriate indicator color based on location in either the warning or stop zones.

Note: Override button is only required to be engaged if the operator desires to move the platform closer to an object that is in or entering the stop zone.

5.9.8 SkySense Coverage Areas



Level One

Note: Sensor Cones shown are approximations for reference only.



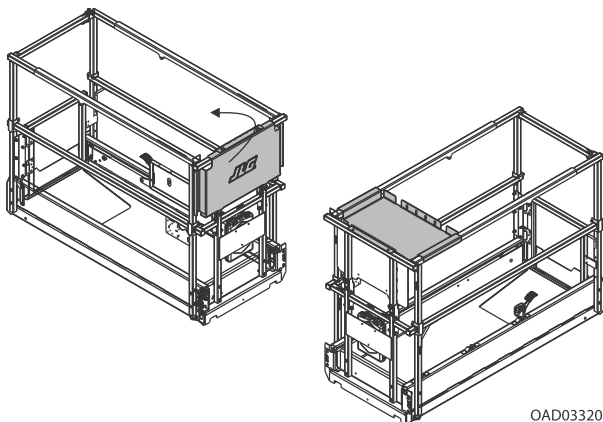
Level Two

Note: Sensor Cones shown are approximations for reference only.

5.10 HEAVY DUTY TOOL TRAY

This tool tray provides additional space for placement of tools and objects. Lift the tray up and over the platform billboard to rest on the rails. Return the tray to its stowed position when not in use.

Note: The tool tray has a maximum capacity of 50 lb (22 kg).



This Page is intentionally left blank

SECTION 6

Specifications and Operator Maintenance

6.1 GENERAL

This section of the manual provides additional necessary information to the operator for proper operation and maintenance of this machine.

The maintenance portion of this section is intended as information to assist the machine operator to perform daily maintenance tasks only and does not replace the more thorough Preventive Maintenance and Inspection Schedule included in the Service & Maintenance Manual.

6.2 OTHER PUBLICATIONS AVAILABLE

Service and Maintenance Manual	31219122
Illustrated Parts Manual (R2632)	31219123
Illustrated Parts Manual (R3246)	31219124

6.3 SERIAL NUMBER IDENTIFICATION

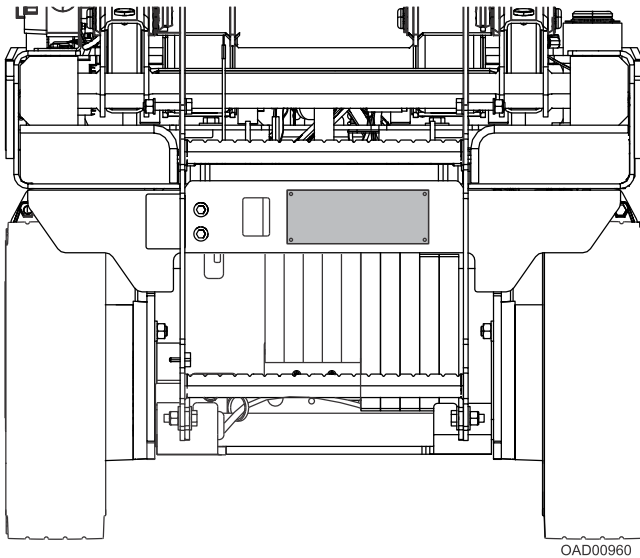


Figure 11. 2632 Serial Number Plate

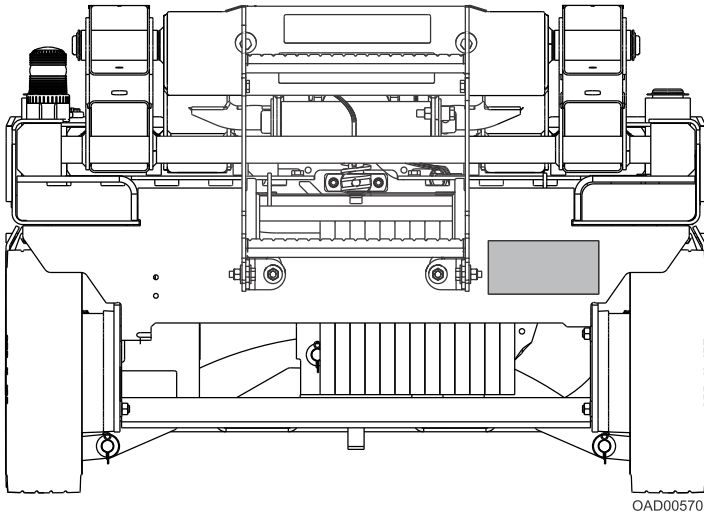


Figure 12. 3246 Serial Number Plate

6.4 MACHINE SPECIFICATIONS

6.4.1 Operating Specifications

DESCRIPTION	R2632	R3246
Gross Vehicle Weight		
All Markets	4,280 lb (1,941 kg)	5,410 lb (2,454 kg)
AUS Only	4,280 lb (1,941 kg)	5,510 lb (2,499 kg)
Maximum Working Height	31.5 ft (9.6 m)	38 ft (11.6 m)
Lift Up Time		
No Load	28 - 38 sec	43 - 51 sec
Rated Load	32 - 46 sec	46 - 54 sec
Lift Down Time		
No Load	32 - 40 sec	40 - 48 sec
Rated Load	24 - 34 sec	33 - 41 sec
Ground Clearance		
PHP Deployed	0.91in (23 mm)	
PHP Retracted	3.9 in (98 mm)	
Breakover Angle	12°	
Electronic Arm Guard Pause Height (CE/GB only)	66 in (1.68 m)	73 in (1.85 m)

DESCRIPTION	R2632	R3246
High Drive Speed (Forward/Reverse)	2.0 mph (3.2 kph)	2.2 mph (3.5 kph)
Elevated Drive Platform Height	55 in (1.40 m)	65 in (1.65 m)
Elevated Drive Speed (Forward/Reverse)	0.5 mph (0.8 kph)	
Maximum Stowed Travel Grade (Gradeability)	25% (14°)	
Maximum Stowed Travel Grade (Sideslope)	8.75% (5°)	
Maximum Tire Load	1,373 lb (623 kg)	2,150 lb(975 kg)
Occupied Floor Area	21 ft ² (1.95 m ²)	30.1 ft ² (2.80 m ²)
Ground Bearing Pressure	92 psi	131 psi

6.4.2 Machine Dimensions

DESCRIPTION	R2632	R3246
Maximum Platform Height		
Indoor/Outdoor (All Markets)	—	32 ft (9.75 m)
Indoor (All Markets)	25.5 ft (7.77 m)	—
Outdoor (All Markets Except AUS)	21 ft (6.40 m)	—
Overall Machine Height (Stowed)		
Telescope Rails	7.30 ft (2.23 m)	7.96 ft (2.43 m)
Dual Rails	7.29 ft (2.22 m)	8.03 ft (2.45 m)
Rails Folded	5.81 ft (1.77 m)	6.47 ft (1.97 m)
Overall Machine Height (Elevated)		
Telescope Rails	29.17 ft (8.89 m)	35.72 ft (10.89 m)
Dual Rails	29.23 ft (8.91 m)	35.78 ft (10.91 m)
Platform Height (Ground to Platform Floor)		
Stowed	3.63 ft (1.11 m)	4.24 ft (1.29 m)
Elevated	25.5 ft (7.77 m)	32 ft (9.75 m)
Safety Prop Engaged	7.15 ft (2.18 m)	8.50 ft (2.59 m)
Rail Height (Platform Floor to Top of Rail)		
Telescope Rails	3.66 ft (1.12 m)	3.72 ft (1.13 m)
Dual Rails	3.66 ft (1.12 m)	3.78 ft (1.15 m)
Overall Machine Width	32 in (81.3 cm)	46 in (117 cm)

DESCRIPTION	R2632	R3246
Overall Machine Length (with Ladder)	7.86 ft (2.40 m)	
Extension Deck Length	34 in (0.86 m)	3 ft (0.91 m)
Wheelbase	74.2 in (188.5 cm)	

6.4.3 Platform Capacities

DESCRIPTION	R2632	R3246
Operating Personnel		
Indoor	2 persons	2 persons
Outdoor	1 person	1 person
Outdoor (AUS Only)	–	1 person
Platform Rated Load		
Indoor	507 lb (230 kg)	705 lb (320 kg)
Outdoor	275 lb (125 kg) 507 lb (230 kg)	507 lb (230 kg) 705 lb (320 kg)
Outdoor (AUS Only)	–	705 lb (320 kg)
Extension Deck Rated Load	265 lb (120 kg)	
Maximum Operating Wind Speed		
Indoor	0 mph (0 m/s)	
Outdoor	28 mph (12.5 m/s)	
Maximum Horizontal Side Force		
Indoor	90 lb (400 N)	90 lb (400 N)
Outdoor	45 lb (200 N)	45 lb (200 N)
Note: R2632 does not have outdoor functionality in the AUS market		

Note: INDOOR USE is use of a MEWP in areas shielded from wind so that there is no wind. OUTDOOR USE is use of a MEWP in an environment that can be exposed to wind.

6.4.4 Tilt Activation Setting

MODEL	TILT SETTING (Front to Back)	TILT SETTING (Side to Side)	Maximum Platform Elevation
R2632	3.5°	1.50° - indoor 1.50° - outdoor	20.5 ft - 25.5 ft (6.25 m - 7.77 m) 18 ft - 21 ft (5.5 m - 6.4 m)
		2.25° - indoor 2.50° - outdoor	16.5 ft - 20.5 ft (5 m - 6.25 m) 14 ft - 18 ft (4.3 m - 5.5 m)
		3.50° - indoor 4.50° - outdoor	55 in - 16.5 ft (1.4 m - 5 m) 55 in - 14 ft (1.4 m - 4.3 m)
R3246	3.5°	2.50° - indoor 1.50° - indoor (AUS Only) 1.50° - outdoor 2.50° - indoor/outdoor (JPN/KOR Only)	27 ft - 32 ft (8.23 - 9.75 m)
		2.75° - indoor 2.25° - indoor (AUS Only) 2.25° - outdoor	22 ft - 27 ft (6.7 - 8.23 m)
		3.75° - indoor 3.50° - indoor (AUS Only) 3.50° - outdoor	65 in - 22 ft (1.65 - 6.7 m)

6.4.5 Tires

DESCRIPTION	R2632	R3246
Size	16 in (406 mm) x 5 in (125 mm)	
Wheel Nut Torque(2 in [51 mm] Slotted Nut with Cotter Pin)	150 ft.lb (203 Nm)	

6.4.6 Batteries

DESCRIPTION	R2632 & R3246		
	Lead Acid	Lead Acid (Extended Range)	AGM
Voltage (24V System)	6V per battery		
Amp Hour Rating (@ 20 hr)	225 Ah	255 Ah	213 Ah

DESCRIPTION	R2632 & R3246		
	Lead Acid	Lead Acid (Extended Range)	AGM
Reserve Capacity	447 min	570 min	492 min
Weight (per battery)	63 lb (28.6 kg)	75 lb (34 kg)	66 lb (30 kg)

6.5 BATTERY MAINTENANCE AND CHARGING

6.5.1 Battery Maintenance and Safety Practices

Note: These instructions are for unsealed (wet) batteries only. If machine is equipped with sealed batteries, no maintenance other than cleaning corroded battery terminals is required.

⚠ CAUTION

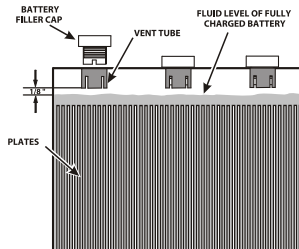
Ensure that battery acid does not come into contact with skin or clothing. Wear protective clothing and eyewear when working with batteries. Neutralize any battery acid spills with baking soda and water.

Battery acid releases an explosive gas while charging, allow no open flames, sparks or lighted tobacco products in the area while charging batteries. Charge batteries only in a well ventilated area.

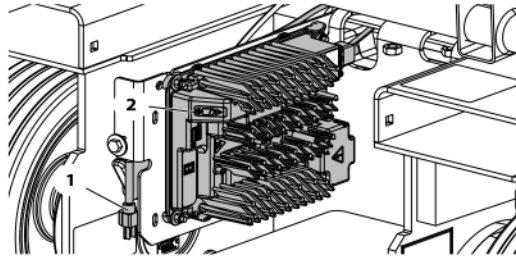
Add only distilled water to batteries. When adding distilled water to the batteries, a non-metallic container and/or funnel must be used.

Check the electrolyte level of the batteries often, adding only distilled water when required. When fully charged, battery fluid level should be $1/8$ " below vent tubes.

- DO NOT fill to bottom of vent tubes.
- DO NOT allow fluid level to go below the top of the plates when charging or operating.



6.5.2 Delta-Q - Battery Charger



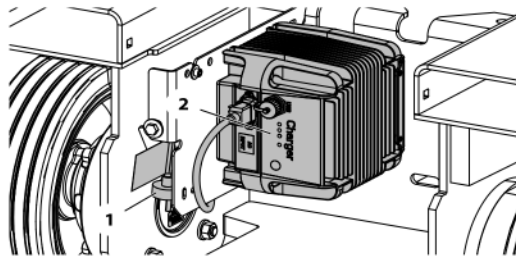
1. AC Voltage Input Plug

2. Charge Indicator LEDs

Note: Rear cross member and ladder shown removed for illustration purposes only.

- **AC Power On** - BLUE LED ON
- **Low State of Charge** - (Bottom Panel - GREEN LED Flashing) - (Top Panel - GREEN LED OFF)
- **High State of Charge** - (Bottom Panel - GREEN LED ON) - (Top Panel - GREEN LED Flashing)
- **Charge Complete** - (Bottom Panel - GREEN LED ON) - (Top Panel - GREEN LED ON)
- **Fault Indicator** - (RED LED ON)
- **External Error Condition Caution** - (AMBER LED Flashing)

6.5.3 Green Power - Battery Charger (China Only)



1. AC Voltage Input Cable

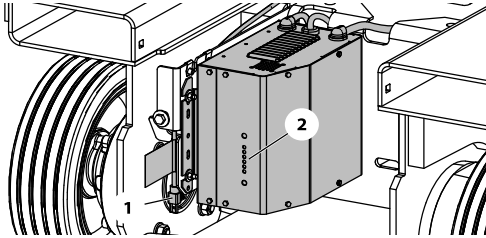
2. Charge Indicator LEDs

Note: Rear crossmember and ladder shown removed for illustration purposes only.

- **Battery Charging** - (YELLOW LED - AGM - Flashes Quickly / FLOODED - Remains ON/ AGM-FLOODED - Flashes Slowly)
- **Charge Complete** - (GREEN LED ON)
- **Fault Indicator** - (RED LED ON)

- **Performing Self-Diagnostic** - (YELLOW and GREEN LEDs Flashing Simultaneously)

6.5.4 Eagle Performance - Battery Charger



1. AC Voltage Input Cable

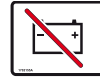
2. Charge Indicator LEDs

Note: Rear crossmember and ladder shown removed for illustration purposes only.

- **Battery Type Indicator** - (YELLOW LED ON)
- **Battery Charging** - (30%-60%-90% RED LED ON)
- **Charge Complete** - (GREEN LED ON)
- **No Battery Detected** - (30% RED Blinking)
- **Overall Timer Shutdown** - (30-60-90% RED LEDs Blinking)
- **Internal OverTemp Shutdown** - (30 - 90% RED LEDs Blinking)

6.6 BATTERY QUICK-DISCONNECT

Machines equipped with the battery quick disconnect allow all machine power to be easily disconnected at the battery without removing battery cables from the battery posts. To disconnect power, locate the RED quick-disconnect connector on top of the batteries inside the battery compartment and pull halves apart.



6.7 LUBRICATION SPECIFICATIONS

KEY	SPECIFICATIONS
MPG	Multipurpose Grease having a minimum dripping point of 350° F. Excellent water resistance and adhesive qualities, and being of extreme pressure type. (Timken OK40 pounds minimum.)
EPGL	Extreme Pressure Gear Lube (oil) meeting API service classification GL-5 or MIL-Spec MIL-L-2105.
HO	JLG Recommends - Mobil - Mobilfluid 424 Mobil EAL ENVIRONSYN H 32 Mobil SHC HYDRAULIC EAL 32 EAL and SHC are compatible with each other.

6.7.1 Hydraulic Oil

HYDRAULIC SYSTEM OPERATING TEMPERATURE RANGE	SAE VISCOSITY GRADE
0° F to +23° F (-18° C to -5° C)	10W
0° F to 210° F (-18° C to + 99° C)	10W-20, 10W-30
50° F to 210° F (+10° C to +99° C)	20W-20

Note: Aside from JLG recommendations, it is not advisable to mix oils of different brands or types, as they may not contain the same required additives or be of comparable viscosities.

6.7.2 Lubrication Capacities

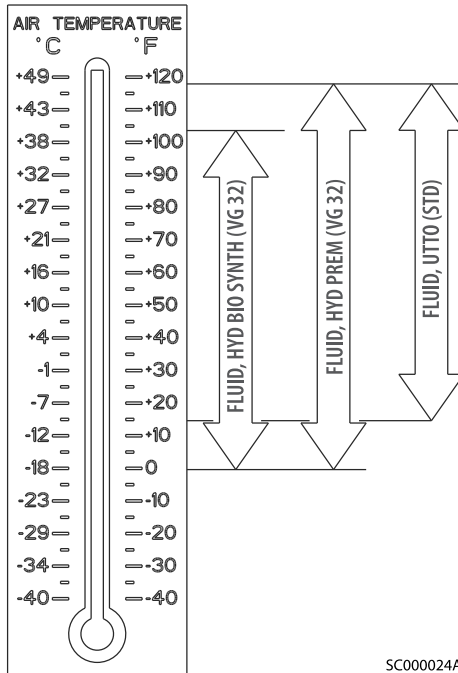
COMPONENT	R2632, R3246
Hydraulic Reservoir (at Full mark)	4 gal (15 L)
Hydraulic System (Including Reservoir)	4.75 gal (18 L) R2632, 5.5 gal (21 L) R3246

6.7.3 Hydraulic Oil Specifications

SPECIFICATION	MOBIL MOBILFLUID 424	MOBIL EAL ENVIRONSYN H 32
ISO Viscosity Grade	10W-30	#32
Spec Gravity API	29.0	0.950
Pour Point, Max	-65° F (-54° C)	-38° F (-39° C)
Flash Point, Min.	442° F (228° C)	514° F (268° C)
VISCOSITY SPECIFICATIONS		
at 40° C	55 cSt	33.1 cSt
at 100° C	9.3 cSt	6.36 cSt
at 100° F	80 SUS	—
at 210° F	43 SUS	—
cp at -18°C	2700	—

SPECIFICATION	MOBIL MOBILFLUID 424	MOBIL EAL ENVIRONSYN H 32
Viscosity Index	152	147
Operating Temp	—	-20° F (-29° C) to 200° F (93° C)

6.7.4 Hydraulic Oil Operating Chart



Note: Machine operation using non-JLG approved hydraulic fluids or operation outside of the temperature boundaries outlined in the Hydraulic Fluid Operation Chart may result in premature wear or damage to components of the hydraulic system.

Some fluids may not be available from the factory.

6.8 SAFETY PROP

⚠ WARNING

Never work under an elevated platform until it has been restrained from movement with the safety prop, blocking, or overhead sling.

CAUTION

The safety prop must be used whenever maintenance performed on the machine requires the scissor arms be raised. Ensure there is no load in the platform.

Before operator maintenance can be conducted, engage the machine's red safety prop. The safety prop is located at the rear of the machine in the armstack.

To engage the safety prop:

1. From the Ground Control Station, raise the platform approximately 9 ft (2.7 m).
2. At rear of machine, pull red safety prop into the vertical position.
3. Lower the platform until the crossbar above the prop comes into contact with the prop.
4. Ensure all downward movement stops when safety prop is engaged.

To disengage the safety prop:

1. Raise the platform enough to release the safety prop.
2. Push in the safety prop.
3. Lower the platform to the stowed position.

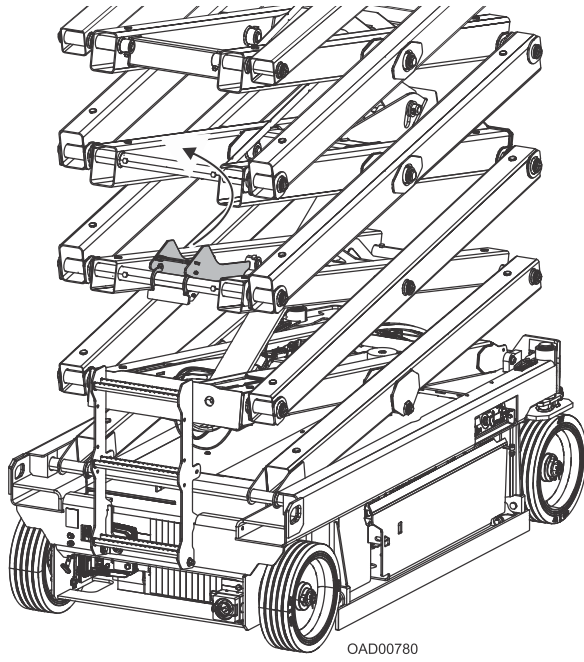


Figure 13. Prop Disengaged

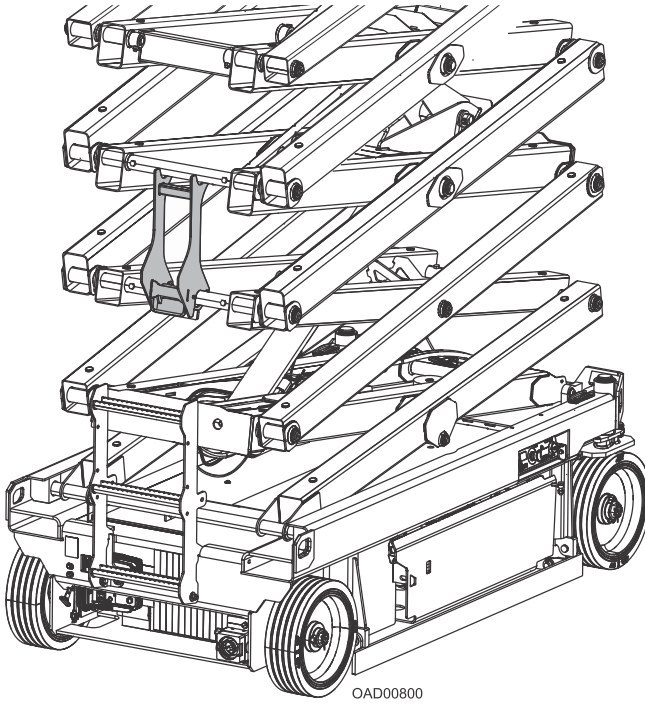
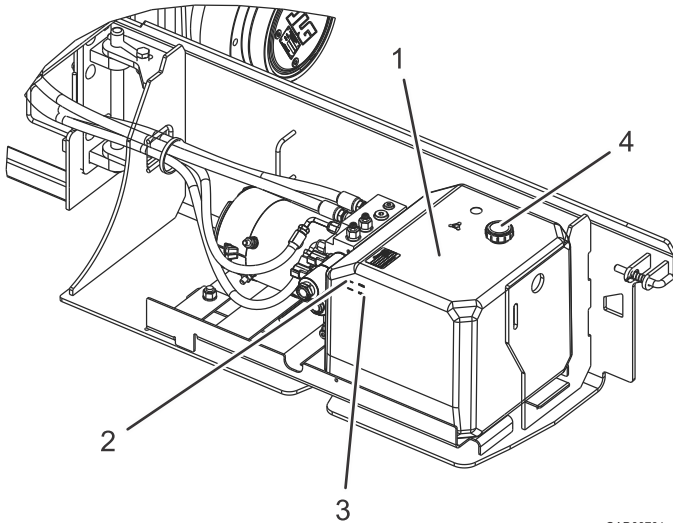


Figure 14. Prop Engaged

6.9 HYDRAULIC OIL CHECK PROCEDURE

To ensure proper operation of the machine, the hydraulic oil must be checked daily.

Check the hydraulic oil level only when the machine is in the stowed position. Ensure the hydraulic oil has warmed to operating temperature before checking the reservoir.



OAD00701

1. Open the hydraulic compartment door and locate the hydraulic reservoir (1).
2. Locate the lines indicating the maximum and minimum levels of hydraulic oil (2 and 3) in the reservoir. Ensure the level of oil is between the two lines.
3. If the level of oil in the reservoir is below the minimum level (3), more oil is needed. Wipe all dirt and debris from the filler/filter cap (4) and surrounding area.
4. Remove filler cap and add proper grade of oil. Fill until oil level is close to the maximum level (2). Do not overfill.

Note: Take precautions so impurities (dirt, water, etc.) cannot enter the hydraulic system while filler/filter cap is removed.

Note: Recommended lubrication intervals are based on machine operations under normal conditions. For machines used in multi-shift operations and/or exposed to hostile environments or conditions, lubrication frequencies must be increased accordingly.

6.10 DIAGNOSTIC TROUBLE CODES (DTC)

NOTICE

The DTC codes listed in the following table are not a complete listing of machine DTC codes. This listing shows only those DTC's which an operator may be able to correct due to operating error.

The DTC table following is sorted in groups by the first two digits, these digits represent the number of flashes the system distress indicator lamp will flash on the platform indicator panel when a fault occurs.

The more detailed three to five digit code numbers in the DTC column of the following tables are only indicated on a JLG handheld diagnostic analyzer connected to the machine, or on the Ground Control Station - MDI indicator, if equipped.

To troubleshoot multiple DTC's, start with the DTC with the higher first two digits.

If a correction is made during a check, conclude the check by cycling the machine power off then back on, using the emergency stop switch.

NOTICE

Should a fault occur which cannot be corrected by the operator, the problem must be referred to a mechanic qualified to repair this model of JLG lift.

DTC	Help Message	Alarm	Flash Code	Action	Trigger
001	EVERYTHING OK	None	None	<ul style="list-style-type: none"> No Motion restrictions 	<ul style="list-style-type: none"> Platform Mode and no Faults are active.
002	GROUND MODE OK	None	None	<ul style="list-style-type: none"> No Motion restrictions 	<ul style="list-style-type: none"> Ground Mode and no Faults are active.
003	ALARM SOUNDING – TILTED & ABOVE ELEVATION	PF: Continuous	None	<ul style="list-style-type: none"> No Motion restrictions 	<ul style="list-style-type: none"> Platform is elevated and chassis is not level
004	DRIVING AT CUTBACK – ABOVE ELEVATION	None	None	<ul style="list-style-type: none"> Drive State = CREEP 	<ul style="list-style-type: none"> Platform is elevated and the machine is in the drive mode of operation
005	DRIVE & LIFT UP PREVENTED TILTED & ELEVATED	PF: Continuous	None	<ul style="list-style-type: none"> Drive State = PREVENTED Lift Up State = PREVENTED 	<ul style="list-style-type: none"> Driving and lift up are not possible since the platform is elevated and the chassis is not level.
006	LIFT UP PREVENTED – MAX HEIGHT ZONE A	None	None	<ul style="list-style-type: none"> Lift Up State = PREVENTED 	<ul style="list-style-type: none"> The vehicle has reached the maximum height allowed by the Indoor/ Outdoor selection and further lift up motion is not possible.
007	DRIVING AT CUTBACK – POTHOLE STILL ENGAGED	None	None	<ul style="list-style-type: none"> Drive State = CREEP 	<ul style="list-style-type: none"> While stowed, drive speed is reduced (due to lower ground clearance) since the control system detected that the pot-hole protection mechanism is deployed (failed to retract). Clear the obstacle blocking the pot-hole protection mechanism, repair the mechanical problem, re-adjust the pot-hole limit switches, or re-pair the wiring to correct the problem. Alternately, there may be difficulty with the Elevation Angle Sensor that causes the Control System to improperly believe the platform is stowed.

DTC	Help Message	Alarm	Flash Code	Action	Trigger
008	FUNCTIONS LOCKED OUT – SYSTEM POWERED DOWN	None	None	<ul style="list-style-type: none"> Enter Safe Mode Lift Down State = PREVENTED 	<ul style="list-style-type: none"> A period of time elapsed without activity and the Control System entered a low-power state to preserve battery charge (2 hours). Cycle the Ground EMS in Ground Mode or the Platform EMS in Platform Mode to re-enable the vehicle. Two hours without Drive Forward, Drive Reverse, Lift Up, Lift Down, Steer Left, or Steer Right. Timer resets if user changes Platform Mode / Ground Mode
009	DRIVE PREVENTED – ELEVATED ABOVE DRIVE CUTOUT HEIGHT	None	None	<ul style="list-style-type: none"> DriveState = PREVENTED 	<ul style="list-style-type: none"> The Drive Cutout functionality is enabled, and the Platform is Elevated above the Calibrated Cutout Height.
211	POWER CYCLE	None	2_1	<ul style="list-style-type: none"> No Motion restrictions 	<ul style="list-style-type: none"> This Help Message is issued at each power-up. This serves to indicate which messages have been recorded in the failure log since the last power-up event.
212	KEYSWITCH FAULTY	None	2_1	<ul style="list-style-type: none"> Force to GroundMode 	<ul style="list-style-type: none"> Both the Ground Select and Platform Select signals are energized, which means there is an issue with the keyswitch or one of the lines are shorted to battery.
221	FUNCTION PROBLEM – HORN PERMANENTLY SELECTED	None	2_2	<ul style="list-style-type: none"> Horn Prevented 	<ul style="list-style-type: none"> Horn Switch in the Platform Control Box was closed during power-up. Release or repair the switch to clear the message.
2210	TRIGGER CLOSED TOO LONG WHILE IN NEUTRAL	None	2_2	<ul style="list-style-type: none"> TriggerState = FALSE therefore DriveState = PREVENTED LiftUpState = PREVENTED LiftDownState = PREVENTED 	<ul style="list-style-type: none"> Trigger Switch on the Platform Control Box was closed for more than five seconds while the Joystick (accelerator) was in the neutral position (centered). Release switch or repair the switch / wiring to clear the difficulty.

DTC	Help Message	Alarm	Flash Code	Action	Trigger
222	FUNCTION PROBLEM – INDOOR / OUTDOOR PERMANENTLY SELECTED	None	2_2	<ul style="list-style-type: none"> Previously selected Indoor / Outdoor Mode maintained 	<ul style="list-style-type: none"> Indoor / Outdoor Switch in the Platform Control Box was closed during power-up. Release or repair the switch to clear the message.
223	FUNCTION PROBLEM – DRIVE & LIFT ACTIVE TOGETHER	None	2_2	<ul style="list-style-type: none"> MoveState = LIFT DriveState = PREVENTED LiftUpState = PREVENTED LiftDownState = PREVENTED 	<ul style="list-style-type: none"> The Drive - Lift Selector Switch indicates that both functions are selected simultaneously. Repair the wiring or switch to clear the message.
2232	FUNCTION PROBLEM – DRIVE & LIFT BOTH OPEN	None	2_2	<ul style="list-style-type: none"> MoveState = LIFT DriveState = PREVENTED LiftUpState = PREVENTED LiftDownState = PREVENTED 	<ul style="list-style-type: none"> In PlatformMode, the Drive - Lift Selector Switch indicates that neither function is selected. Repair the wiring or switch to clear the message.
224	FUNCTION PROBLEM – STEER LEFT PERMANENTLY SELECTED	None	2_2	<ul style="list-style-type: none"> DriveState = PREVENTED 	<ul style="list-style-type: none"> Steer Left Switch in the Platform Control Box was closed during power-up. Release or repair the switch to clear the message.
225	FUNCTION PROBLEM – STEER RIGHT PERMANENTLY SELECTED	None	2_2	<ul style="list-style-type: none"> DriveState = PREVENTED 	<ul style="list-style-type: none"> Steer Right Switch in the Platform Control Box was closed during power-up. Release or repair the switch to clear the message.
228	FUNCTION LOCKED OUT – ACCELERATOR NOT CENTERED	None	2_2	<ul style="list-style-type: none"> DriveState = PREVENTED LiftUpState = PREVENTED LiftDownState = PREVENTED 	<ul style="list-style-type: none"> Selected function (Drive or Lift) is not allowed because the joystick (accelerator) was not centered at power-up. Return joystick to center momentarily.
229	FUNCTION PROBLEM – TRIGGER PERMANENTLY CLOSED	None	2_2	<ul style="list-style-type: none"> DriveState = PREVENTED LiftUpState = PREVENTED LiftDownState = PREVENTED 	<ul style="list-style-type: none"> Trigger Switch in the Platform Control Box was closed at power-up. Release switch or repair the switch / wiring to clear the difficulty.

DTC	Help Message	Alarm	Flash Code	Action	Trigger
231	FUNCTION PROBLEM – LIFT PERMANENTLY SELECTED	None	2_3	In GroundMode then <ul style="list-style-type: none"> LiftUpState = PREVENTED LiftDownState = PREVENTED 	<ul style="list-style-type: none"> Lift Switch (Up or Down) in the Ground Control Box was closed during power-up. Release or repair the switch to clear the message.
232	GROUND LIFT UP/DOWN ACTIVE TOGETHER	None	2_3	In GroundMode <ul style="list-style-type: none"> then LiftUpState = PREVENTED LiftDownState = PREVENTED 	<ul style="list-style-type: none"> In GroundMode, the control system has detected the Lift Up and Down are active simultaneously. Check the Lift Switch and associated wiring in the Ground Control Box.
242	AMBIENT TEMPERATURE SENSOR – OUT OF RANGE HIGH	PF: Continuous	2_4	<ul style="list-style-type: none"> Drive and Lift Restrictions 	<ul style="list-style-type: none"> The temperature as communicated by the temperature/tilt sensor is greater than 185° F (85° C).
253	DRIVE PREVENTED – CHARGER CONNECTED	None	2_5	<ul style="list-style-type: none"> DriveState = PREVENTED 	<ul style="list-style-type: none"> Driving is not possible since the vehicle is charging.
254	DRIVE & LIFT UP PREVENTED – CHARGER CONNECTED	None	2_5	<ul style="list-style-type: none"> DriveState = PREVENTED LiftUpState = PREVENTED 	<ul style="list-style-type: none"> Driving and Lifting are not possible since the vehicle is charging and it is configured to prevent all motion.

DTC	Help Message	Alarm	Flash Code	Action	Trigger
255	PLATFORM OVERLOADED	PF: 5000ms ON/ 2000ms OFF GND: 5000msON/ 2000ms OFF	2_5	<ul style="list-style-type: none"> DriveState = PREVENTED if (TRANSPORT STATE = FALSE) DriveState = CREEP if (MACHINE SETUP → MARKET = JAPAN) AND (TRANSPORT STATE = TRUE) LiftUpState = PREVENTED if ((PlatformMode = TRUE) OR (GroundMode = TRUE AND MACHINE SETUP → LOAD = CUTOFF ALL)) LiftDownState = PREVENTED if ((PlatformMode = TRUE) OR (GroundMode = TRUE AND MACHINE SETUP → LOAD = CUTOFF ALL)) This fault shall be suppressed if technician navigates to the CALIBRATION menu of the ANALYZER. 	<ul style="list-style-type: none"> Triggers when OverloadState = TRUE Clears when OverloadState = FALSE While the Load Sensing System is enabled, the Platform Load measured by the Load Sensing System is excessive. Lift Up is Prevented, as well as drive above transport height. For the GB and KOREA markets, lift down is also prevented above a certain height. For the Japanese Market, Drive is limited to CREEP speeds in transport. Refer to LSS functionality for Lift and Drive restrictions.
256	DRIVE PREVENTED – POTHOLE NOT ENGAGED	PF: 500ms On/ 500ms Off GND: 500ms On/500ms Off	2_5	<ul style="list-style-type: none"> DriveState = PREVENTED 	<ul style="list-style-type: none"> While elevated, driving is not possible since the control system detected that the pot-hole protection mechanism failed to deploy. Clear the obstacle blocking the pot-hole protection mechanism, repair the mechanical problem, re-adjust the pot-hole limit switches, or repair the wiring to correct the problem. Alternately, there may be difficulty with the Elevation Angle Sensor that causes the Control System to improperly believe the platform is elevated.

DTC	Help Message	Alarm	Flash Code	Action	Trigger
2568	TEMPERATURE CUTOFF ACTIVE - AMBIENT TEMPERATURE TOO LOW	If Transport Mode= TRUE PF: Continuous If Transport Mode= FALSE PF: OFF	2_5	<ul style="list-style-type: none"> Drive and Lift Restrictions 	<ul style="list-style-type: none"> The temperature as communicated by the temperature sensor located on the temperature/tilt sensor is less than or equal to {PERSONAL-ITIES->TEMP CUTOFF->CUTOFF SET} (See Low Temperature Cutoff Functionality) This DTC shall not be displayed in GroundMode, and no restrictions shall be implemented.
421	POWER MODULE TOO HOT - PLEASE WAIT	None	4_2	<ul style="list-style-type: none"> DriveState = PREVENTED LiftUpState = PREVENTED 	<ul style="list-style-type: none"> Heatsink temperature above 203°F (95° C). Possible Cause: <ul style="list-style-type: none"> Controller is operating in an extreme environment. Excessive load on vehicle. Improper mounting of controller
4235	POWER MODULE TOO HOT - REDUCED OPERATION	None	4_2	<ul style="list-style-type: none"> DriveState = CREEP LiftUpState = CREEP 	<ul style="list-style-type: none"> Heatsink temperature exceeded 185° F (85° C). Effect: Reduced drive and brake torque. Possible Cause: <ul style="list-style-type: none"> Controller is performance-limited at this temperature. Controller is operating in an extreme environment. Excessive load on vehicle Improper mounting of controller.

DTC	Help Message	Alarm	Flash Code	Action	Trigger
4236	POWER MODULE TOO COLD - MODULE SHUT-DOWN	None	4_2	<ul style="list-style-type: none"> DriveState = PREVENTED LiftUpState = PREVENTED 	<ul style="list-style-type: none"> Heatsink temperature below -40° F (-40°C). Possible Cause: <ul style="list-style-type: none"> Controller is operating in an extreme environment.
426	MASTER MODULE TEMPERATURE - OUT OF RANGE	None	4_2	<ul style="list-style-type: none"> Normal operation 	<ul style="list-style-type: none"> The Ground Module's internal temperature sensor is out of range. (<104° F (40° C) or > 302° F (150° C)
441	BATTERY VOLTAGE TOO LOW - SYSTEM SHUTDOWN	None	4_4	<ul style="list-style-type: none"> SafeMode LiftDownState = PREVENTED 	<ul style="list-style-type: none"> Battery Voltage (VBAT) momentarily dropped below 14.5V when using flooded lead-acid batteries, or 16.0V when using AGM batteries. With a low battery charge, this can occur during heavy current demand due to Drive, Steer, or Lift Up. Recharge batteries or check for damaged batteries, sulfated batteries, or poor power connections.
442	BATTERY VOLTAGE TOO HIGH - SYSTEM SHUTDOWN	None	4_4	<ul style="list-style-type: none"> Enter SafeMode LiftDownState = MAX 	<ul style="list-style-type: none"> The Ground Module measured excessively high battery voltage (VBAT) (>32.0V) and de-energized the Main Line Contactor and Battery Relay to protect system devices and was unable to bring voltage down to normal operating range. This may be due to improper battery charging or incorrect voltage batteries being used.
4421	LOGIC SUPPLY VOLTAGE OUT OF RANGE HIGH	None	4_4	<ul style="list-style-type: none"> Enter SafeMode LiftDownState = MAX 	<ul style="list-style-type: none"> The Ground Module's VSW voltage was measured to be more than 32V. This may be caused by loose battery terminal, severely discharged batteries, a damaged battery, or an improper wire harness connection.

DTC	Help Message	Alarm	Flash Code	Action	Trigger
4424	POWER MODULE VOLTAGE TOO LOW - MODULE SHUTDOWN	None	4_4	<ul style="list-style-type: none"> • DriveState = PREVENTED • LiftUpState = PREVENTED 	<ul style="list-style-type: none"> • Severe B+ Under voltage Set: Capacitor bank voltage dropped below Severe Under voltage limit with FET bridge enabled. • Effect: Reduced Drive Torque • Possible Cause: <ul style="list-style-type: none"> • Battery menu parameters are misadjusted • Non-controller system drain on battery • Battery resistance too high • Battery disconnected while driving • Blown B+ fuse or main contactor not closed
4475	POWER MODULE - BDI FAULT	None	4_4	<ul style="list-style-type: none"> • DriveState = PREVENTED • LiftUpState = PREVENTED 	<ul style="list-style-type: none"> • Pump BDI Fault Set: BDI Percentage charge at 0% when the pump was activated. • Effect: ShutdownPump • Possible Cause: <ul style="list-style-type: none"> • Battery is fully discharged • BDI parameters are mistuned

DTC	Help Message	Alarm	Flash Code	Action	Trigger
4476	BATTERY VOLTAGE TOO HIGH – UN-PLUG CHARGER	None	4_4	<ul style="list-style-type: none"> Enter SafeMode LifDownState = MAX 	<ul style="list-style-type: none"> The Ground Module momentarily measured excessively high battery voltage (VBAT) (>32.0V) and entered SafeMode to protect system devices. This may be due to improper battery charging or incorrect voltage batteries being used.
4477	BATTERY VOLTAGE TOO HIGH – FORCING DISCHARGE	None	4_4	Lift Down = PREVENTED Lift Up = PREVENTED Drive = PREVENTED	<ul style="list-style-type: none"> The Ground Module momentarily measured excessively high battery voltage (VBAT) (>32.0V) and entered SafeMode. This may be due to improper battery charging or incorrect voltage batteries being used.

6.11 SUPPLEMENTAL INFORMATION ONLY APPLICABLE TO CE/UKCA MACHINES

The following information is provided in accordance with the requirements of the European Machinery Directive 2006/42/EC or Supply of Machinery (Safety) Regulations 2008 No. 1597.

For electric powered machines, the equivalent continuous A-Weighted sound pressure level at the work platform is less than 70 dB(A).

The vibration total value to which the hand-arm system is subjected does not exceed 2,5 m/s². The highest root mean square value of weighted acceleration to which the whole body is subjected does not exceed 0,5 m/s².

6.12 EC DECLARATION OF CONFORMITY

Manufacturer

JLG Industries, Inc.

Address

1 JLG Drive
McConnellsburg, PA 17233 USA

Technical File

JLG EMEA B.V.
Polaris avenue 63,
2132 JH Hoofddorp
The Netherlands

Contact/Position

Senior Manager — Product Safety & Reliability

Date/Place

Hoofddorp, Netherlands

Machine Type

Mobile Elevating Work Platform

Model Type

R2632, R3246

EC-Number

2842

Certificate Number

KCEC4618

Notified Body

Kuiper Certificering b.v.

Address

Van Slingelandtsstraat 75, 7331 NM
Apeldoorn, The Netherlands

Reference Standards

- EN 55011:2009/A1:2010
- EN 61000-6-2:2005
- EN 60204-1:2018
- EN 280:2013+ A1:2015
- EN ISO 12100:2010

JLG Industries, Inc. hereby declares that the above mentioned machine conforms with the requirements of:

- 2006/42/EC — Machinery Directive
- 2014/30/EU — EMC Directive
- 2014/53/EU — RED Directive (If fitted with optional equipment)

Note: This declaration conforms with the requirements of annex II-A of the council directive 2006/42/EC. Any modification of the above described machine violates the validity of this declaration.

6.13 UKCA DECLARATION OF CONFORMITY

Manufacturer

JLG Industries, Inc.

Address

1 JLG Drive
McConnellsburg, PA 17233 USA

Technical File

JLG Industries UK Ltd
Braunstone Frith Industrial Estate
Unit 3 Sunningdale Road
Leicester, LE3 1UX
United Kingdom

Contact/Position

Director of Engineering — Europe

Date/Place

Leicester, United Kingdom

Machine Type

Mobile Elevating Work Platform

Model Type

R2632, R3246

AB-Number

0463

Certificate Number

AVUK4448

Approved Body

Amtri Veritas

Address

Pierce Street, Macclesfield, SK11 6ER, England

Reference Standards

- EN 55011:2009/A1:2010
- EN 61000-6-2:2005
- EN 60204-1:2018
- EN 280:2013+ A1:2015
- EN ISO 12100:2010

JLG Industries, Inc. hereby declares that the above mentioned machine conforms with the requirements of:

- 2008 No. 1597 - Supply of Machinery (Safety) Regulations 2008
- 2016 No. 1091 - Electromagnetic Compatibility Regulations 20165
- 2017 No. 1206 - Radio Equipment Regulations 2017 (if fitted with optional equipment)

Note: This declaration conforms with the requirements of annex II-A of the Regulations 2008 No. 1597. Any modification of the above described machine violates the validity of this declaration.



Corporate Office
JLG Industries, Inc.
1 JLG Drive
McConnellsburg, PA 17233-9533 USA
☎ (717) 485-5161 (Corporate)
☎ (877) 554-5438 (Customer Support)
☎ (717) 485-6417

Visit our website for JLG Worldwide Locations.
www.jlg.com



OSHKOSH™